

28" Upright Freezer

BUFR2715SSIM



GENERAL	
Type	Freestanding
Digital LED Display	Yes
Control System	Electronic, Adjustable
Finish	Stainless Steel
CAPACITIES	
Total Net Volume	13.84 cu. ft.
FEATURES	
Eco Mode	Yes
Quick Freeze	Yes
Frost Free	Yes
Handle	Easy Open
Reversible Door	Yes
Door Open Alarm	Yes
Electronic Display Child Lock	Yes
Condenser Type	Hidden
ProSmart Inverter Compressor	Yes
Interior Illumination	Interior LED Lighting
Number of freezer drawer	4
Number of total freezer compartments	8
Ice Maker Type	Automatic with Water Tap Connection
Interior Door Bins	2
Number of glass shelves	4
PERFORMANCE	
Cooling Gas	R600a
Annual Energy Consumption	450 kWh/yr
TECHNICAL INFORMATION	
Voltage Frequency	120 V / 60 Hz
Rated Current	2.6A
DIMENSIONS	
H x W x D	75 1/2 x 29 1/2 x 27 1/2 in.
Product Weight	196.2 lbs.

Beko is the only Manufacturer whose freezer with ice maker is:



KEY FEATURES

- Ice Maker On/Off Feature
- Freeze Guard for Garage Ready
- On Door LED Display
- Reversible Door
- Frost Free Technology

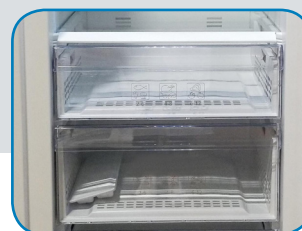


Freeze Guard

Beko freezer will work in ambient temperatures between 5°F and 109°F without any loss of performance at any pre-set temperature of the unit, thanks to effective usage of inverter compressor and electronic control technology.



Easy Open Handle



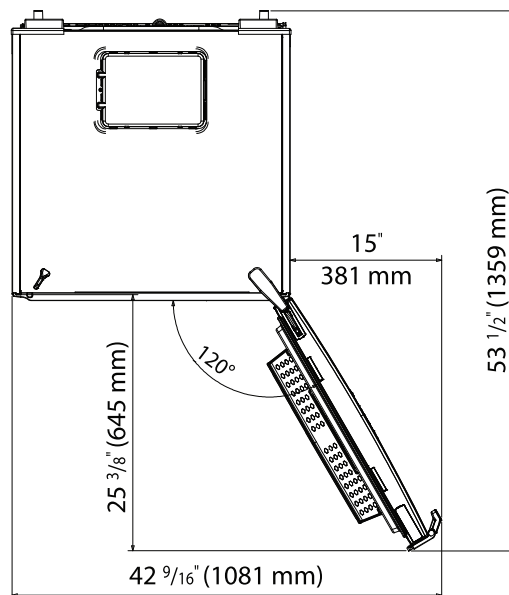
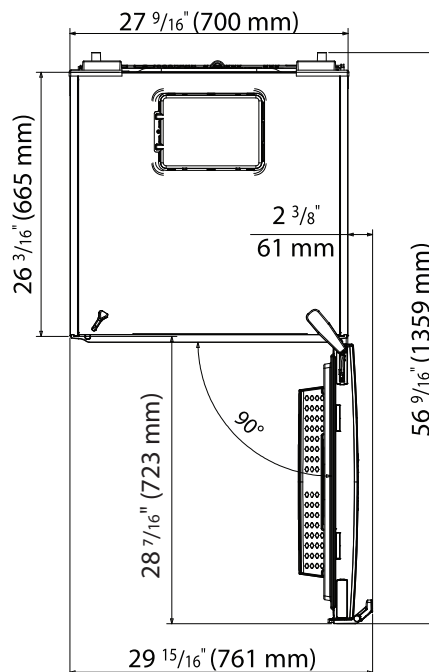
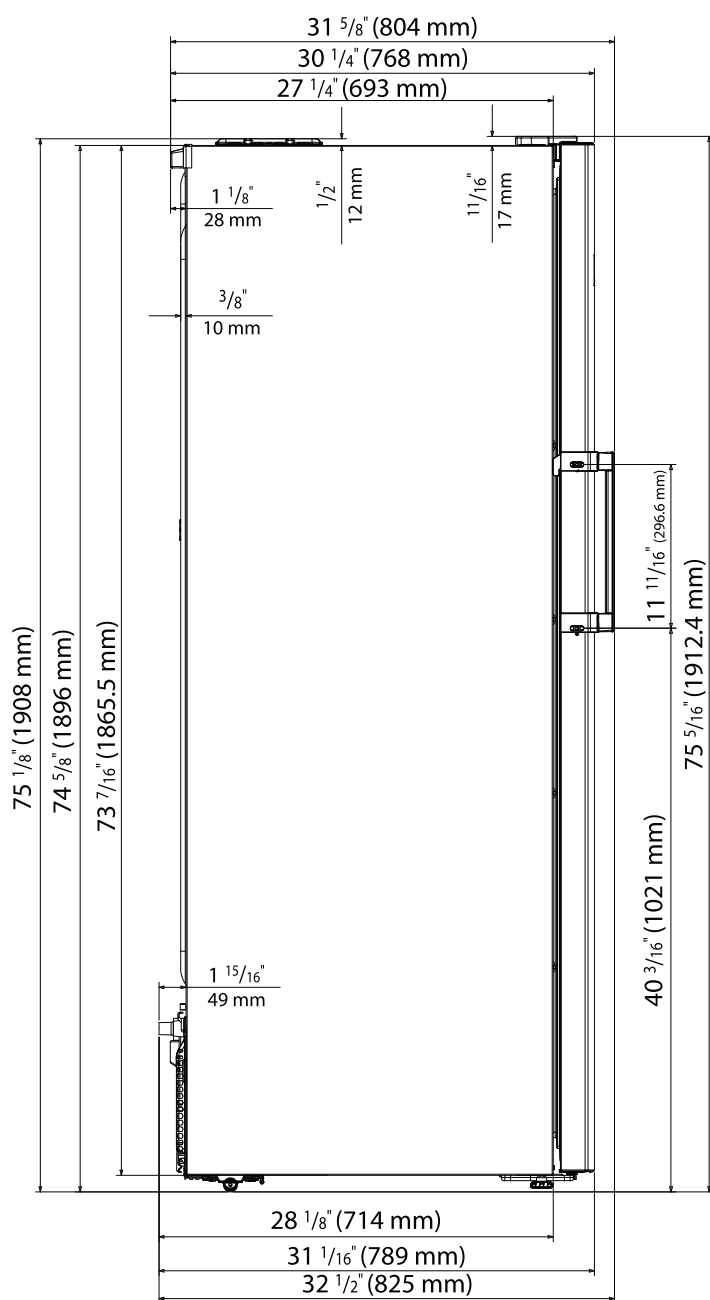
Removable Drawers



Interior LED Lighting

28" Upright Freezer

BUFR2715SSIM



NOTE TO THE INSTALLER: All height, width, and depth dimensions are shown in inches (as well as metric). Beko U.S., Inc. reserves the absolute and unrestricted right to change product materials and specifications, at any time, without notice. Please visit our website, www.BekoAppliances.com, or call 888.352.2356 to verify the latest specifications with final dimensional data and other details prior to installation and making a cutout. Applicable product limited warranty information may be found in accompanying product materials, or you may contact your account manager for further details. Proper installation is the responsibility of the installer. Product failure due to improper installation is not covered under the Limited Warranty.

888.352.BEKO(2356) | BekoAppliances.com

