

# 36" Counter Depth French Door Refrigerator

**BFFD3622SS**



## KEY FEATURES

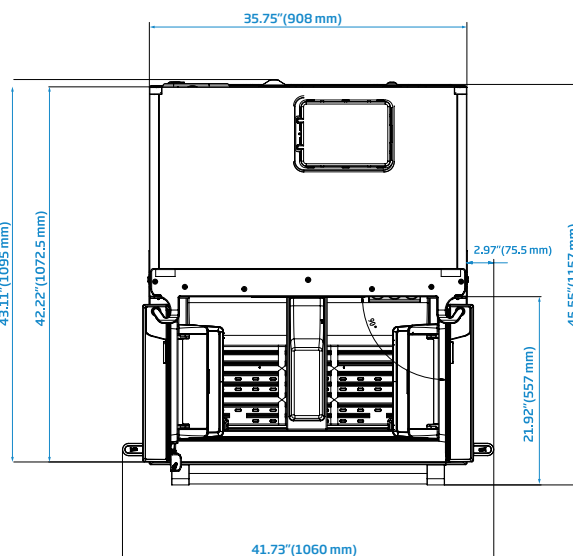
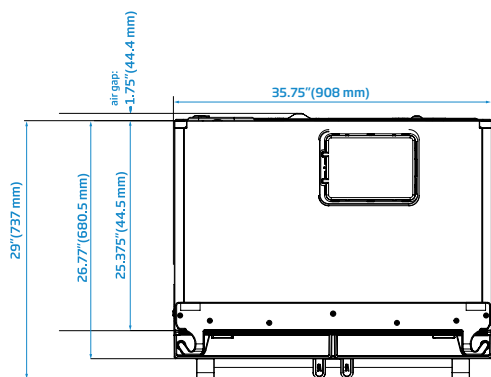
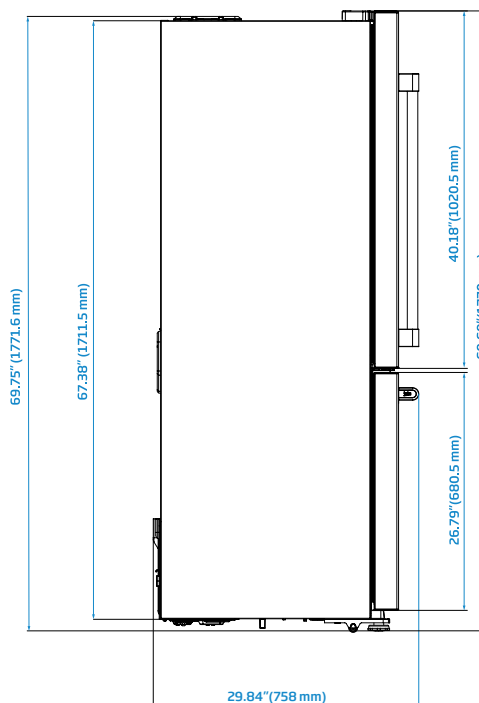
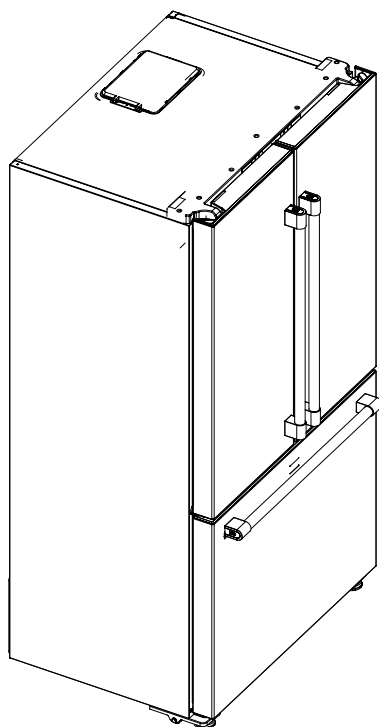
- Neofrost dual cooling technology
- Zone Temperature Adjustability
- Sabbath Mode
- XL Pantry Drawer
- Height Adjustable Cantilever Shelves
- Gallon Bins
- Counter Depth Design
- Ice bin with XL Scoop
- XL Freezer Drawer

GENERAL	
Cooling system	Duo Cycle Frost Free Cooling - NeoFrost
Control system	Electronic Control
Finish	Fingerprint-free Stainless Steel
CAPACITIES	
Total volume cu. ft.	19.86
Fresh food net volume cu. ft.	13.3
Freezer volume cu. ft.	6.56
FRIDGE FEATURES	
Active Fresh Blue Light	Yes
IonGuard	Yes
Interior filtered water dispenser	Yes
Electronic control display type	Digital display on front top trim
Auto defrost	Yes
Inner illumination	LED - Side walls and ceiling
Shelves	4 Safety Glass
Crispers	2
Door racks	6
Compressor	Variable Speed VCC
Fan ventilation	Yes
FREEZER FEATURES	
Auto defrost	Yes
Number of freezer drawers	1
Automatic ice maker	Yes
TECHNICAL INFORMATION	
Supply voltage, V/Hz	120 V / 60 Hz
Rated Current , A	2.7 A
Noise level, dBA	44
DIMENSIONS	
H x W x D, in	69 3/4" x 35 3/4" x 26 13/16"
Product weight, lbs.	315 lbs.
H x W x D, cm	177.1 x 90.8 x 68 cm
Product weight, kg	143 kg
PERFORMANCE	
Energy Star qualified	Yes
Climatic class	T
Annual energy consumption, kwh/year	566



# 36" Counter Depth French Door Refrigerator

BFFD3622SS



NOTE TO THE INSTALLER: All height, width, and depth dimensions are shown in inches (as well as metric). Beko U.S., Inc. reserves the absolute and unrestricted right to change product materials and specifications, at any time, without notice. Please visit our website, [www.BekoAppliances.com](http://www.BekoAppliances.com), or call 888.352.2356 to verify the latest specifications with final dimensional data and other details prior to installation and making a cutout. Applicable product limited warranty information may be found in accompanying product materials, or you may contact your account manager for further details. Proper installation is the responsibility of the installer. Product failure due to improper installation is not covered under the Limited Warranty.