

30" Built-in Bottom Freezer Refrigerator

BBBF3019IMWE SERIES

Color Options: BBBF3019IMWESS Stainless Steel ● BBBF3019IMWE Panel Ready ●



Meets CEE Specifications

KEY FEATURES

- EverFresh+
- NeoFrost Dual Cooling Technology
- Flexible Storage Capacity
- Frost Free
- Electronic Display
- Reversible Doors
- Sabbath Mode
- Turbo Ice Maker — 11 lbs. per day

GENERAL	
Cooling System	NeoFrost Dual Cooling Technology
Control System	Electronic Control
Finish	Stainless Steel

CAPACITIES	
Total Net Volume	16.4 cu. ft.
Fresh Food Net Volume	11.6 cu. ft.
Freezer Net Volume	4.8 cu. ft.

FRIDGE FEATURES	
Active Fresh Blue Light	Yes
EverFresh+	Yes
IonGuard	Yes
Interior Filtered Water Dispenser	Yes
Electronic Control Display Type	Yes
Auto Defrost	Yes
LED Inner Illumination	Side Walls and Ceiling
Shelves	3
Crispers	1
Adjustable Door Racks	Yes
Compressor	Yes

FREEZER FEATURES	
Auto Defrost	Yes
Number of Freezer Drawers	1
Number of Freezer Baskets	2
Turbo Ice Maker	Yes

PERFORMANCE	
ENERGY STAR® Qualified	Yes
Climatic Class	T
Annual Energy Consumption	556 kWh/year
Cooling Gas	R600a

TECHNICAL INFORMATION	
Supply Voltage	120 V / 60 Hz
Rated Current	2 Amp
Noise Level	44 dBA

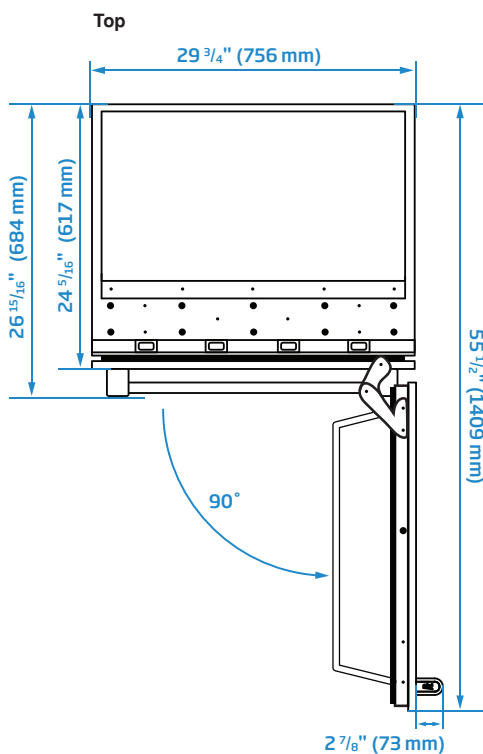
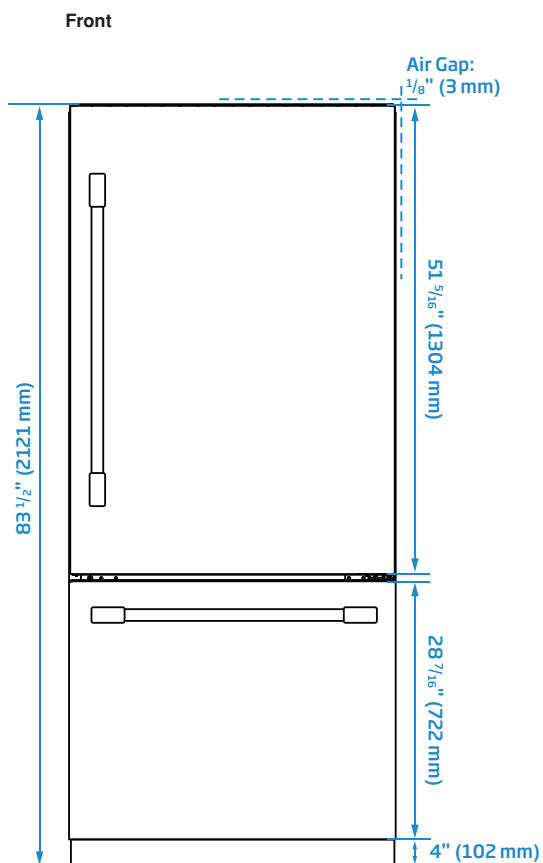
DIMENSIONS	
Required Cutout Dim (H x W x D)	84 x 30 x 25 in.
H x W x D	83 1/2 x 29 3/4 x 24 1/16 in. (212 x 75.6 x 61.7 cm)
Product Weight	476 lbs. (216 kg)
Packed H x W x D	91 x 33 3/8 x 29 1/2 in. (231 x 84.8 x 75 cm)
Packed Weight	520.3 lbs. (236 kg)

Depth is without panel or handles.

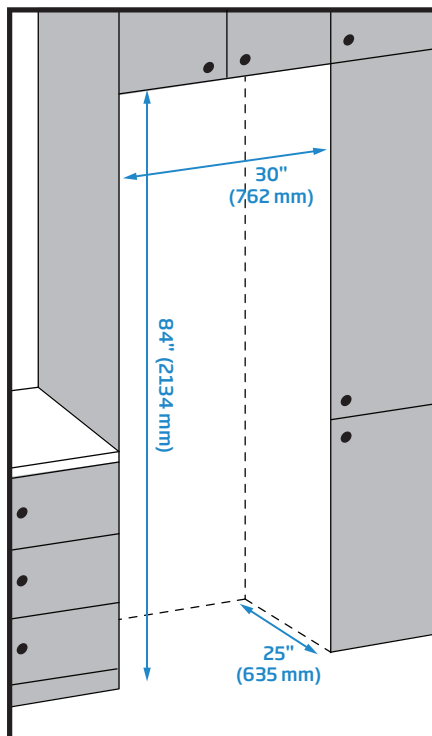
Need to order separate kitchen cabinet door from your cabinet manufacturer.

30" Built-in Bottom Freezer Refrigerator

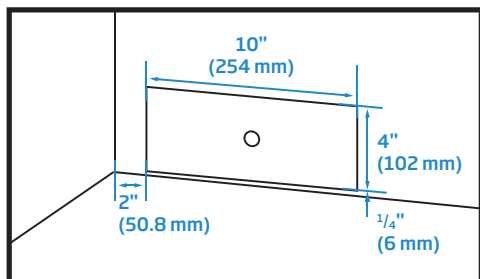
BBBF3019IMWE SERIES



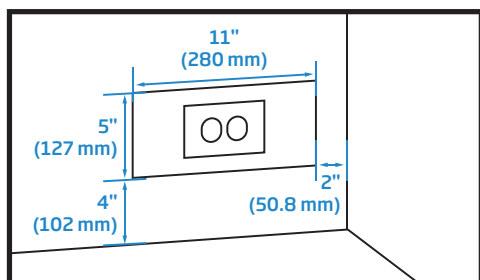
Cabinet Cutout Requirements



Plumbing



Electrical



NOTE TO THE INSTALLER: All height, width, and depth dimensions are shown in inches (as well as metric). Beko U.S., Inc. reserves the absolute and unrestricted right to change product materials and specifications, at any time, without notice. Please visit our website, www.BekoAppliances.com, or call 888.352.2356 to verify the latest specifications with final dimensional data and other details prior to installation and making a cutout. Applicable product limited warranty information may be found in accompanying product materials, or you may contact your account manager for further details. Proper installation is the responsibility of the installer. Product failure due to improper installation is not covered under the Limited Warranty.