

# 24" Panel Ready, Tall Tub, Top Control Dishwasher

**DIT39432**



## KEY FEATURES

- SilentTech: 39 dBA
- Height-adjustable Rack
- 4 Functions
- 9 Programs
- Connectivity through HomeWhiz
- Easy Installation
- Concealed Heating Element
- Adjustable Feet and Self-adjusting Hinge

## FINISH

Panel Ready

## DIMENSIONS

31<sup>59/64</sup> x 23<sup>35/64</sup> x 21<sup>21/32</sup> in.

### GENERAL

Control Type	Electronic Touch Control & Direct Access
Position	Top Control
Connectivity	WiFi

### MAIN FEATURES

Loading Capacity (Place Settings)	16
Tub Material	Stainless Steel
Inner Door Material	Stainless Steel
Inner Illumination	Top
DMSF Overflow Protection	Yes
5 Level Wash with 3 <sup>rd</sup> Spray Arm	Yes
Delay Timer	1/2 – 24 hours
Drying System	Closed Fan Drying System
ProSmart Inverter Motor	Yes
SilentTech	39 dBA
All-In-1 Tablet	Yes
IonGuard	Yes
Interior High Loop with Air Gap	Yes
Detergent Dispenser Type	Sliding Lid

### FUNCTIONS

1/2 Load Function	Yes
Sanitize Function	Yes
SteamGloss Function	Yes
Fast Function	Yes

### PROGRAMS

Number of Programs	9
Heavy Plus (167°F)	Yes
Auto Program (131°F–149°F)	Yes
MixWash+	Yes
Download	Yes
Normal (142°F – 145°F)	Yes
Glass Care (110°F)	Yes
Rinse & Hold	Yes
Clean & Shine	Yes
Express (131°F)	Yes

### DISPLAY

Rinse Aid Indicator	Yes
LED Spot (Light Indicator on Floor)	Yes

### RACK SYSTEM

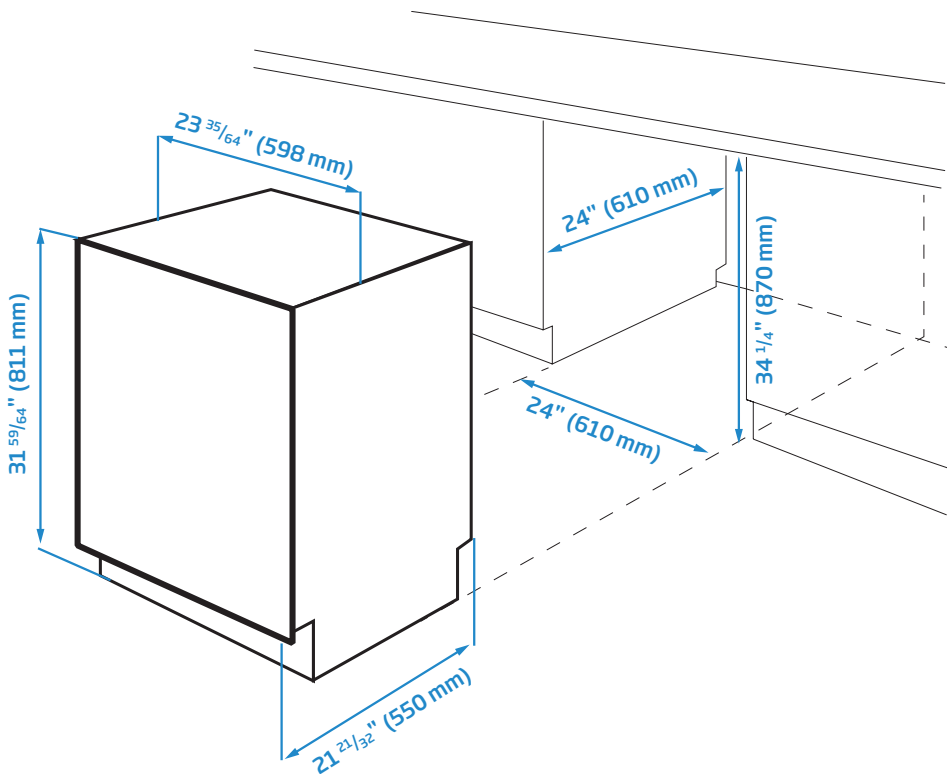
Easy Fold Lower Rack Folding Tines	8
Cutlery Basket	Standard, Full-size
Long Tool Shelf	Yes
Telescopic Rail	Yes
Upper Rack (Inset Shelves)	4
Easy Fold Upper Rack Folding Tines	6
Height-adjustable Rack	Yes, 3 Positions When Loaded
Lower Basket Wine Glass Holder	Yes
Nylon Coated Racks	Yes

### ENVIRONMENTAL STANDARDS

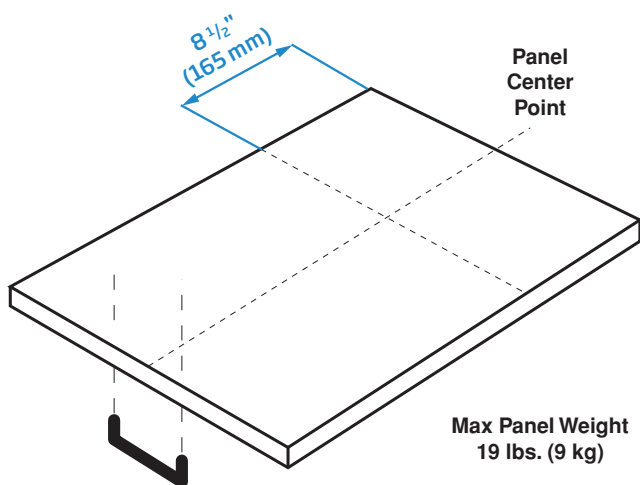
Energy Consumption	225 kWh/year
Water Consumption	2.38 – 5.55 gal./ cycle

### DIMENSIONS

Required Cutout Dimension H x W x D	34 1/4" x 24" x 24"
H x W x D	31 <sup>59/64</sup> x 23 <sup>35/64</sup> x 21 <sup>21/32</sup> (81.1 x 59.8 x 55 cm)
Packed H x W x D	35 <sup>15/64</sup> x 25 <sup>19/32</sup> x 26 <sup>3/8</sup> (89.5 x 65 x 67 cm)
Product Weight	94.79 lbs. (43 kg)
Packed Weight	104.71 lbs. (47.5 kg)



**Panel Ready Recommended Door Panel Size and Thickness:**



DIMENSIONS	
H x W x D	31 59/64" x 23 35/64" x 21 21/32" (81.1 x 59.8 x 55 cm)
Packed H x W x D	35 15/64" x 25 19/32" x 26 3/8" (89.5 x 65 x 67 cm)
Product Weight	94.79 lbs. (43 kg)
Packed Weight	104.71 lbs. (47.5 kg)

NOTE TO THE INSTALLER: All height, width, and depth dimensions are shown in inches (as well as metric). Beko U.S., Inc. reserves the absolute and unrestricted right to change product materials and specifications, at any time, without notice. Please visit our website, [www.BekoAppliances.com](http://www.BekoAppliances.com), or call 888.352.2356 to verify the latest specifications with final dimensional data and other details prior to installation and making a cutout. Applicable product limited warranty information may be found in accompanying product materials, or you may contact your account manager for further details. Proper installation is the responsibility of the installer. Product failure due to improper installation is not covered under the Limited Warranty.