

24 INCH FULLY INTEGRATED DISHWASHER

DDN25400X / DIN25400



Main Features

- 14 place settings
- 5 programs
- 48 dBA silent operation
- ENERGY STAR®
- ProSmart Inverter Motor
- Fast function
- Auto tablet function
- Flow through heater
- 5 level wash
- 3-way filtration system
- NSF certified function
- Built-in high loop with air gap
- Stainless steel tank
- Fingerprint-free stainless steel

Flexible Baskets

- Height adjustable upper rack
- Sliding cutlery basket

Dimensions

H x W x D: 32 1/4" x 23 9/16" x 22 1/2"

CONTROLS	DDN25400X / DIN25400
Control Type	Electronic
Position	Top
MAIN FEATURES	
Loading Capacity (place settings)	14
Tub material	Stainless Steel
Inner door material	Stainless Steel
DMSF overflow protection	Yes
5 level wash with 3rd spray arm	Yes
Delay timer up to 1-24 hour	Yes
3-way filtration system	Yes
Drying	Condensation
ProSmart Inverter motor	Yes
Turbidity sensor	Yes
Silence level, dBA	48 dBA
InnerClean	Yes
Autotablet function	Yes
1/2 load function	Yes
Sanitize function	Yes
Super rinse function	Yes
Fast function	Yes
Interior high loop with airgap	Yes
Power plug	Yes
PROGRAMS	
Number of programs	5
Heavy Plus (167F rinse temp.)	Yes
Normal (142F-145F rinse temp.)	Yes
Clean & Shine	Yes
Express (131F rinse temp.)	Yes
Rinse & Hold	Yes
DISPLAY	
Program sequence	Yes/Digital Display
Rinse aid indicator	Electronic
Rinse aid indicator display	Yes
Light indicator on Floor	Yes
RACK SYSTEM	
Cutlery basket	Sliding
Upper rack (inset shelves)	2
Adjustable upper rack	Unloaded
Nylon coated racks	Yes
DIMENSIONS	
HxWxD, in.	32 1/4" x 23 9/16" x 22 1/2"
Product weight, lbs.	89
HxWxD, cm	81.8 x 59.8 x 57
Product weight, kg	40
ENVIRONMENTAL STANDARDS	
ENERGY STAR® qualified	Yes
Energy consumption, kWh/year	255
Water consumption, gal/cycle	3.5 - 5.0
RoHS compliant (Lead free)	Yes
OPTIONS	
Stainless Steel	DDN25400X
Panel Ready	DIN25400

24 INCH FULLY INTEGRATED DISHWASHER

DDN25400X / DIN25400

Outstanding Features



SilentTech

Quiet talks over after-dinner coffee, book reports written at the kitchen table, movie night in the adjoining room, all made possible by Beko's SilentTech insulation technology. SilentTech suppresses dishwasher noise while extra insulation keeps heat in, for a high energy efficiency combination that really cleans up.



ProSmart Inverter Motor

There's no reason to sacrifice the serenity of your kitchen for a dishwasher cycle. Our advanced ProSmart Inverter Motor that helps power Beko's cleaning is twice as quiet as standard motors. Plus, it saves water and energy, so you can have some peace with your quiet.



Height Adjustable Upper Rack

Raise the height of the upper basket to wash large plates below or lower it to accommodate tall glasses.



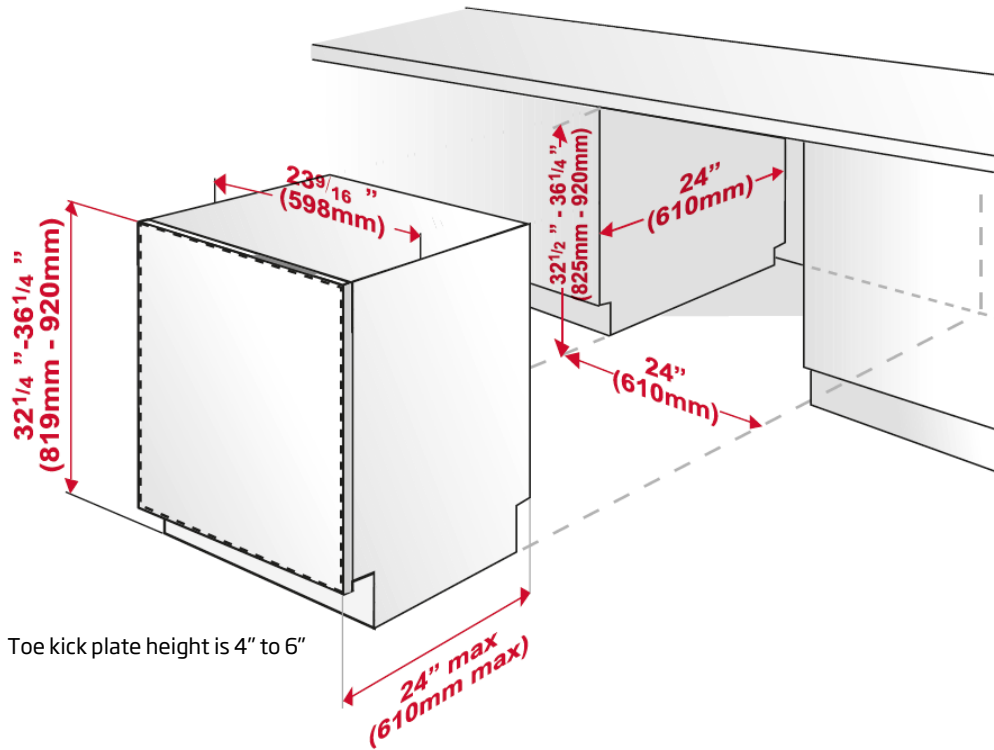
Sliding Cutlery Basket

For added flexibility, the sliding cutlery basket can be placed in any position along the front row of the lower rack.

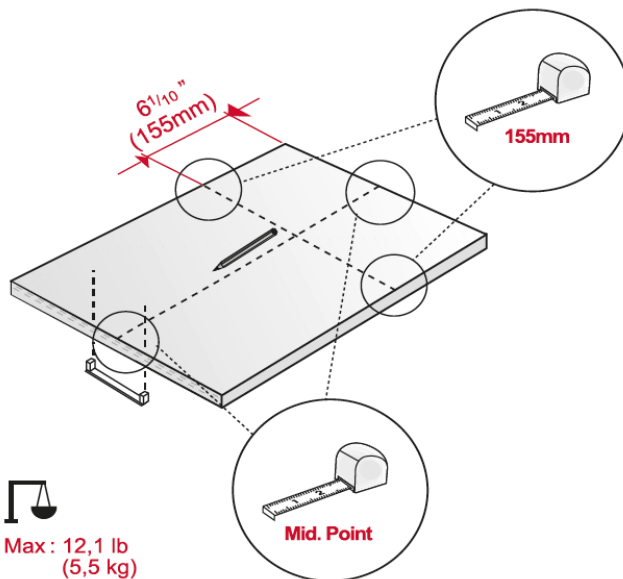
24 INCH FULLY INTEGRATED DISHWASHER

DDN25400X / DIN25400

Dimensions and Installation



Panel requirements for panel ready models:



NOTE TO THE INSTALLER: All height, width and depth dimensions are shown in inches (as well as metric). Beko US Inc. reserves the absolute and unrestricted right to change product materials and specifications, at any time, without notice. Please visit our website www.blombergappliances.us or call 888 352 2356 to verify the latest specifications with final dimensional data and other details prior to installation and making a cutout. Applicable product limited warranty information may be found in accompanying product materials or you may contact your account manager for further details. Proper installation is the responsibility of the installer. Product failure due to improper installation is not covered under the Limited Warranty.