

24" Tall Tub, Top Control Dishwasher

DDT38530X



KEY FEATURES

- 8 Cycles
- 45 dBA
- 3rd Rack

FINISH

Fingerprint-free Stainless Steel

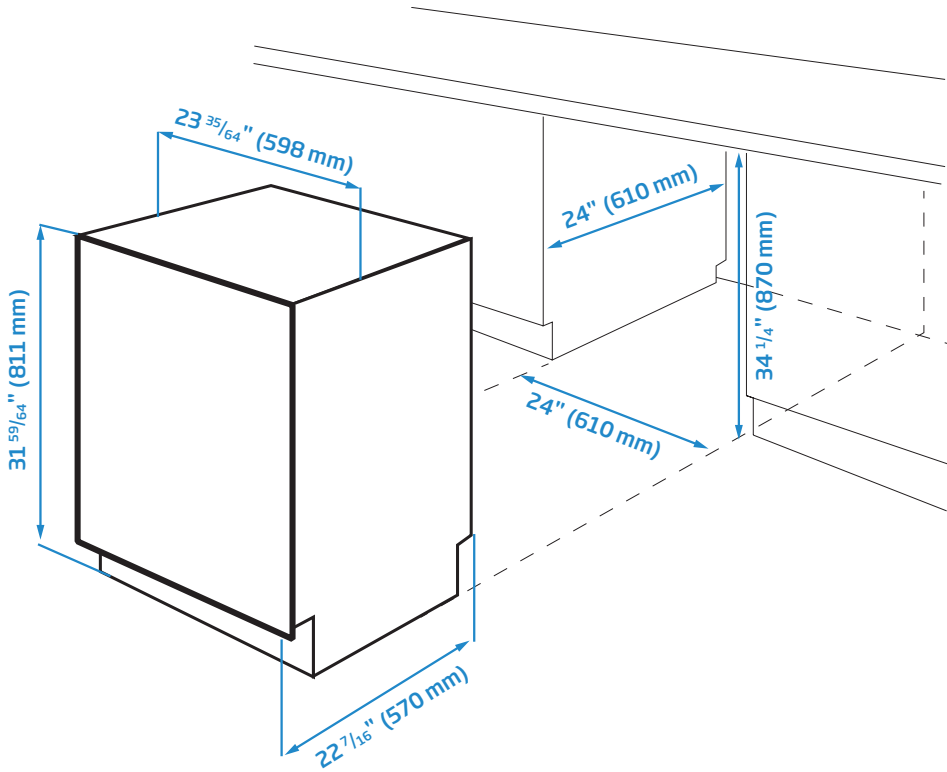
DIMENSIONS

31^{59/64} x 23^{35/64} x 22^{7/16} in.

GENERAL	
Control Type	LCD, 2 Rows
Position	Touch Button
MAIN FEATURES	
Loading Capacity (Place Settings)	16
Tub Material	Stainless Steel
Inner Door Material	Stainless Steel
DMSF Overflow Protection	Yes
5 Level Wash with 3 rd Spray Arm	Yes
Delay Timer	1/2 – 24 hours
Drying System	Active Ventilation
ProSmart Inverter Motor	Yes
SilentTech	45 dBA
All-In-1 Tablet	Yes
Autotablet Function	Tablet
1/2 Load Function	Yes
Sanitize Function	Yes
Extra Dry	Yes
SteamGloss Function	Yes
Fast Function	Yes
AquaIntense Function	Yes
Interior High Loop with Air Gap	Yes
Detergent Dispenser Type	Sliding Lid (Vertical)
PROGRAMS	
Number of Programs	8
Heavy Plus (167°F)	Yes
Auto Program (131°F–149°F)	Yes
Regular Wash	Yes
MixWash+	Yes
AquaFlex	Yes
Normal (142°F – 145°F)	Yes
Clean & Shine	Yes
Glass Care	Yes
Express (131°F)	Yes
Rinse & Hold	Yes
DISPLAY	
Rinse Aid Indicator	Yes
LED Spot (Light Indicator On Floor)	Yes
RACK SYSTEM	
Easy Fold Lower Rack Folding Tines	4
Lower Rack Handle	Stainless Steel Embosed with Brand
Cutlery Basket	Standard, Full-size
Long Tool Shelf	Yes
Upper Rack (Inset Shelves)	4
Easy Fold Upper Rack Folding Tines	3
Acrobat System, Adjustable Upper Rack	3 Positions, Adjustable When Loaded
Nylon Coated Racks	Yes
ENVIRONMENTAL STANDARDS	
ENERGY STAR® Qualified	Yes
Energy Consumption	225 kWh/year
Water Consumption	2.32 – 5.60 gal./ cycle
DIMENSIONS	
Required Cutout Dimension H x W x D	34 1/4" x 24" x 24"
H x W x D	31 ^{59/64} " x 23 ^{35/64} " x 22 ^{7/16} " (81.1x59.8x57 cm)
Packed H x W x D	35 ^{15/64} " x 25 ^{19/32} " x 26 ^{3/8} " (89.5x65x67 cm)
Product Weight	95.9 lbs. (43.5 kg)
Packed Weight	105.82 lbs. (48 kg)

24" Tall Tub, Top Control Dishwasher

DDT38530X



DIMENSIONS	
H x W x D	31 ^{59/64} " x 23 ^{35/64} " x 22 ^{7/16} " (81.1 x 59.8 x 57 cm)
Packed H x W x D	35 ^{15/64} " x 25 ^{19/32} " x 26 ^{3/8} " (89.5 x 65 x 67 cm)
Product Weight	95.9 lbs. (43.5 kg)
Packed Weight	105.82 lbs. (48 kg)

NOTE TO THE INSTALLER: All height, width, and depth dimensions are shown in inches (as well as metric). Beko U.S., Inc. reserves the absolute and unrestricted right to change product materials and specifications, at any time, without notice. Please visit our website, www.BekoAppliances.com, or call 888.352.2356 to verify the latest specifications with final dimensional data and other details prior to installation and making a cutout. Applicable product limited warranty information may be found in accompanying product materials, or you may contact your account manager for further details. Proper installation is the responsibility of the installer. Product failure due to improper installation is not covered under the Limited Warranty.

888.352.BEKO(2356) | BekoAppliances.com

YOUR NEXT LEVEL OF REMARKABLE

