

24" Tall Tub, Top Control Dishwasher

DDT38530XWS



KEY FEATURES

- SilentTech: 45 dBA
- Height-adjustable Rack
- 4 Functions
- 8 Programs
- Easy Installation
- Concealed Heating Element
- Adjustable Feet and Self-adjusting Hinge

FINISH

Fingerprint-free Stainless Steel

DIMENSIONS

31 ⁵⁹/₆₄" x 23 ³⁵/₆₄" x 22 ⁷/₁₆" in.

GENERAL

Control Type	Electronic Touch Control
Position	Top Control

MAIN FEATURES

Loading Capacity (Place Settings)	16
Tub Material	Stainless Steel
Inner Door Material	Stainless Steel
Water Softener	Yes
DMSF Overflow Protection	Yes
5 Level Wash with 3 rd Spray Arm	Yes
Delay Timer	1/2 – 24 hours
Drying System	Active Ventilation
ProSmart Inverter Motor	Yes
SilentTech	45 dBA
All-In-1 Tablet	Yes
Interior High Loop with Air Gap	Yes
Detergent Dispenser Type	Sliding Lid

FUNCTIONS

1/2 Load Function	Yes
Sanitize Function	Yes
SteamGloss Function	Yes
Fast Function	Yes

PROGRAMS

Number of Programs	8
Heavy Plus (167°F)	Yes
Auto Program (131°F–149°F)	Yes
MixWash+	Yes
Normal (142°F – 145°F)	Yes
Clean & Shine	Yes
Glass Care (110°F)	Yes
Express (131°F)	Yes
Rinse & Hold	Yes

DISPLAY

Rinse Aid Indicator	Yes
Salt Indicator	Yes
LED Spot (Light Indicator on Floor)	Yes

RACK SYSTEM

Easy Fold Lower Rack Folding Tines	4
Cutlery Basket	Standard, Full-size
Long Tool Shelf	Yes
Upper Rack (Inset Shelves)	4
Easy Fold Upper Rack Folding Tines	3
Height-adjustable Rack	Yes, 3 Positions When Loaded
Nylon Coated Racks	Yes

ENVIRONMENTAL STANDARDS

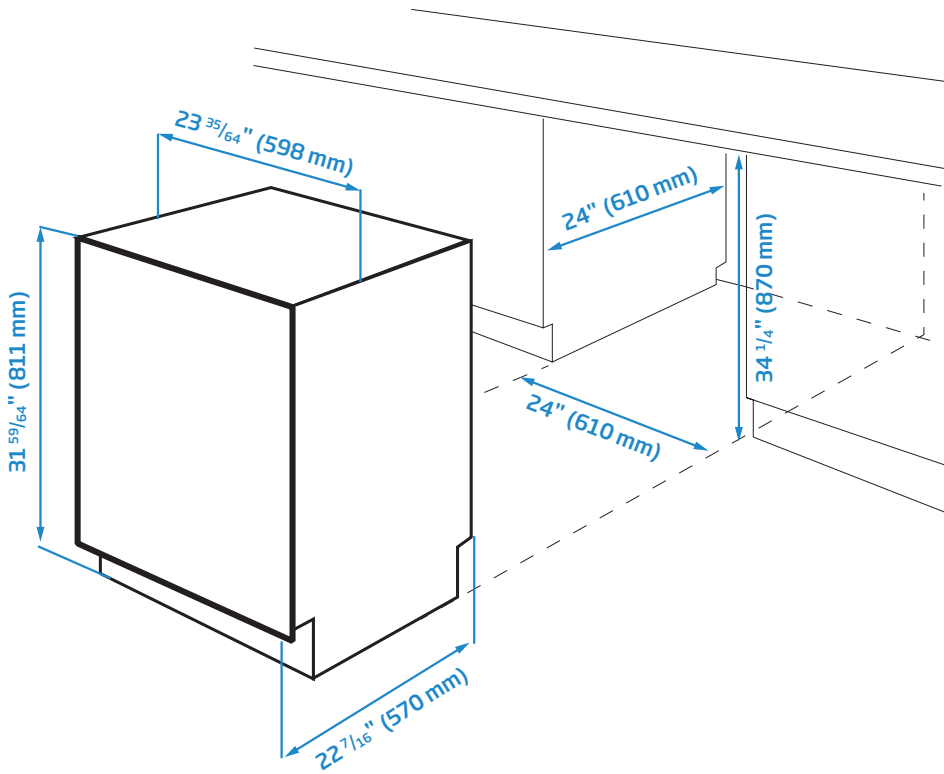
ENERGY STAR® Qualified	Yes
Energy Consumption	256 kWh/year
Water Consumption	3.06 – 6.34 gal./cycle

DIMENSIONS

Required Cutout Dimension H x W x D	34 1/4" x 24" x 24"
H x W x D	31 ⁵⁹ / ₆₄ " x 23 ³⁵ / ₆₄ " x 22 ⁷ / ₁₆ " (81.1x59.8x57 cm)
Packed H x W x D	35 ¹⁵ / ₆₄ " x 25 ¹⁹ / ₃₂ " x 26 ³ / ₈ " (89.5x65x67 cm)
Product Weight	95.68 lbs. (43.4 kg)
Packed Weight	105.60 lbs. (47.9 kg)

24" Tall Tub, Top Control Dishwasher

DDT38530XWS



DIMENSIONS	
H x W x D	31 ^{59/64} " x 23 ^{35/64} " x 22 ^{7/16} " (81.1 x 59.8 x 57 cm)
Packed H x W x D	35 ^{15/64} " x 25 ^{19/32} " x 26 ^{3/8} " (89.5 x 65 x 67 cm)
Product Weight	95.68 lbs. (43.4 kg)
Packed Weight	105.60 lbs. (47.9 kg)

NOTE TO THE INSTALLER: All height, width, and depth dimensions are shown in inches (as well as metric). Beko U.S., Inc. reserves the absolute and unrestricted right to change product materials and specifications, at any time, without notice. Please visit our website, www.BekoAppliances.com, or call 888.352.2356 to verify the latest specifications with final dimensional data and other details prior to installation and making a cutout. Applicable product limited warranty information may be found in accompanying product materials, or you may contact your account manager for further details. Proper installation is the responsibility of the installer. Product failure due to improper installation is not covered under the Limited Warranty.

888.352.BEKO(2356) | BekoAppliances.com

YOUR NEXT LEVEL OF REMARKABLE

