

# 24" Tall Tub, Top Control Dishwasher

**DDT38530XIH**



## KEY FEATURES

- SilentTech: 45 dBA
- Height-adjustable Rack
- 4 Functions
- 8 Programs
- Easy Installation
- Concealed Heating Element
- Adjustable Feet and Self-adjusting Hinge

## FINISH

Fingerprint-free Stainless Steel

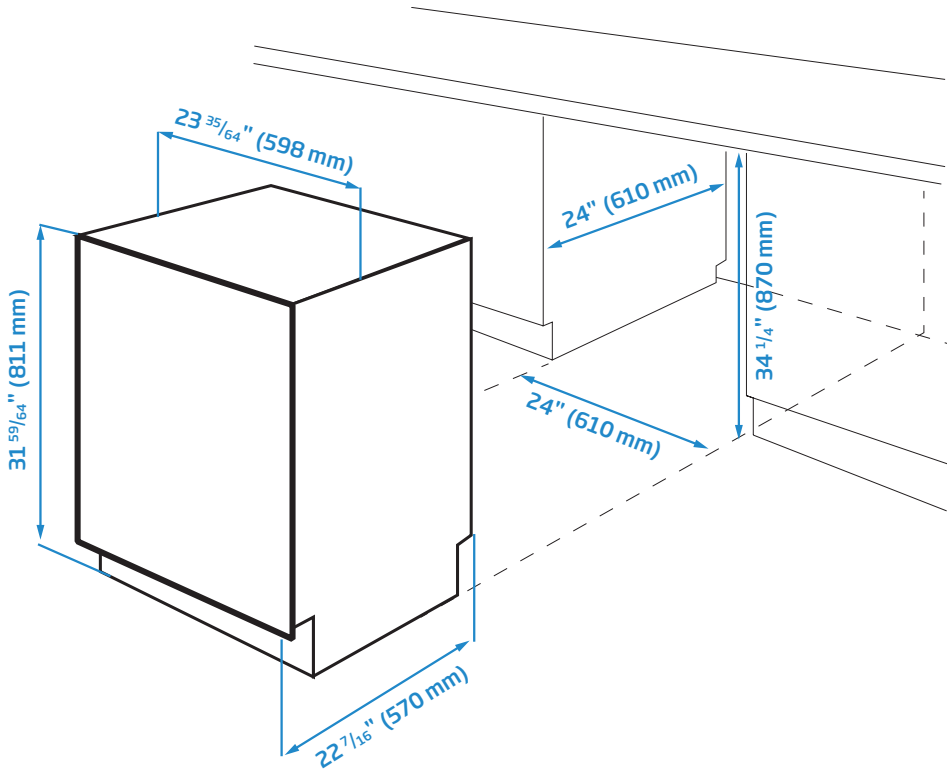
## DIMENSIONS

31<sup>59/64</sup>" x 23<sup>35/64</sup>" x 22<sup>7/16</sup>" in.

| GENERAL                                     |  |
|---|--|
| Control Type                                | LCD, 2 Rows  |
| Position                                    | Top Control - Touch Button   |
| MAIN FEATURES                               |  |
| Loading Capacity (Place Settings)           | 16   |
| Tub Material                                | Stainless Steel  |
| Inner Door Material                         | Stainless Steel  |
| DMSF Overflow Protection                    | Yes  |
| 5 Level Wash with 3 <sup>rd</sup> Spray Arm | Yes  |
| Delay Timer                                 | 1/2 – 24 hours   |
| Drying System                               | Active Ventilation   |
| ProSmart Inverter Motor                     | Yes  |
| SilentTech                                  | 45 dBA   |
| All-In-1 Tablet                             | Yes  |
| Interior High Loop with Air Gap             | Yes  |
| Detergent Dispenser Type                    | Sliding Lid  |
| FUNCTIONS                                   |  |
| 1/2 Load Function                           | Yes  |
| Sanitize Function                           | Yes  |
| SteamGloss Function                         | Yes  |
| Fast Function                               | Yes  |
| PROGRAMS                                    |  |
| Number of Programs                          | 8  |
| Heavy Plus (167°F)                          | Yes  |
| Auto Program (131°F–149°F)                  | Yes  |
| MixWash+                                    | Yes  |
| Normal (142°F – 145°F)                      | Yes  |
| Clean & Shine                               | Yes  |
| Glass Care (110°F)                          | Yes  |
| Express (131°F)                             | Yes  |
| Rinse & Hold                                | Yes  |
| DISPLAY                                     |  |
| Rinse Aid Indicator                         | Yes  |
| LED Spot (Light Indicator on Floor)         | Yes  |
| RACK SYSTEM                                 |  |
| Easy Fold Lower Rack Folding Tines          | 4  |
| Cutlery Basket                              | Standard, Full-size  |
| Long Tool Shelf                             | Yes  |
| Upper Rack (Inset Shelves)                  | 4  |
| Easy Fold Upper Rack Folding Tines          | 3  |
| Height-adjustable Rack                      | Yes, 3 Positions When Loaded   |
| Nylon Coated Racks                          | Yes  |
| ENVIRONMENTAL STANDARDS                     |  |
| ENERGY STAR® Qualified                      | Yes  |
| Energy Consumption                          | 256 kWh/year   |
| Water Consumption                           | 2.32 – 5.6 gal./cycle  |
| DIMENSIONS                                  |  |
| Required Cutout Dimension H x W x D         | 34 <sup>1/4</sup> " x 24" x 24"  |
| H x W x D                                   | 31 <sup>59/64</sup> " x 23 <sup>35/64</sup> " x 22 <sup>7/16</sup> " (81.1 x 59.8 x 57 cm) |
| Packed H x W x D                            | 35 <sup>15/64</sup> " x 25 <sup>19/32</sup> " x 26 <sup>3/8</sup> " (89.5 x 65 x 67 cm)    |
| Product Weight                              | 95.68 lbs. (43.4 kg)   |
| Packed Weight                               | 105.60 lbs. (47.9 kg)  |

# 24" Tall Tub, Top Control Dishwasher

DDT38530XIH



| DIMENSIONS       |   |
|------------------|---|
| H x W x D        | 31 <sup>59</sup> / <sub>64</sub> " x 23 <sup>35</sup> / <sub>64</sub> " x 22 <sup>7</sup> / <sub>16</sub> " (81.1x59.8x57 cm) |
| Packed H x W x D | 35 <sup>15</sup> / <sub>64</sub> " x 25 <sup>19</sup> / <sub>32</sub> " x 26 <sup>3</sup> / <sub>8</sub> " (89.5x65x67 cm)    |
| Product Weight   | 95.68 lbs. (43.4 kg)  |
| Packed Weight    | 105.60 lbs. (47.9 kg)   |

NOTE TO THE INSTALLER: All height, width, and depth dimensions are shown in inches (as well as metric). Beko U.S., Inc. reserves the absolute and unrestricted right to change product materials and specifications, at any time, without notice. Please visit our website, [www.BekoAppliances.com](http://www.BekoAppliances.com), or call 888.352.2356 to verify the latest specifications with final dimensional data and other details prior to installation and making a cutout. Applicable product limited warranty information may be found in accompanying product materials, or you may contact your account manager for further details. Proper installation is the responsibility of the installer. Product failure due to improper installation is not covered under the Limited Warranty.

888.352.BEKO(2356) | [BekoAppliances.com](http://BekoAppliances.com)

YOUR NEXT LEVEL OF REMARKABLE

