

18 INCH FULLY INTEGRATED DISHWASHER

DDS25840X / DIS25840



Main Features

- 14 place settings
- 5 programs
- 49 dBA silent operation
- ENERGY STAR® Most Efficient 2017
- ProSmart Inverter Motor
- Fast function
- Auto tablet function
- Flow through heater
- 5 level wash
- 3 way filtration system
- NSF certified function
- Built-in high loop with air gap
- Stainless steel tank
- Fingerprint-free stainless steel

Flexible Baskets

- Height adjustable upper rack
- Lower rack full folding tines

Dimensions

H x W x D: 32 1/4" x 17 5/8" x 21 9/16"

CONTROLS	DDS25840X / DIS25840
Control Type	Electronic
Position	Top
MAIN FEATURES	
Loading Capacity (place settings)	8
Tub material	Stainless Steel
Inner door material	Stainless Steel
Inner Illumination	No
Water Softener	No
DMSF overflow protection	Yes
5 level wash with 3rd spray arm	Yes
Delay timer up to 1-24 hour	Yes
3-way filtration	Yes
Drying	Condensation
ProSmart Inverter motor	Yes
Turbidity sensor	Yes
Silence level, dBA	49 dBA
InnerClean	Yes
Autotablet function	Yes
1/2 load function	Yes
Sanitize function	No
Super rinse function	Yes
SteamGloss function	No
Fast function	Yes
AquaIntense function	No
IonGuard	No
Interior high loop with airgap	Yes
Power plug	Yes
PROGRAMS	
Number of programs	5
Scrub with AquaIntense	No
Heavy Plus (167F rinse temp.)	Yes
Heavy (158F rinse temp.)	No
Auto program (131F-149F rinse temp.)	No
Normal (142F-145F rinse temp.)	Yes
Clean & Shine	Yes
Delicate (149F rinse temp.)	No
Glass Care	No
Express (131F rinse temp.)	Yes
Rinse & Hold	Yes
DISPLAY	
Program sequence	Yes/Digital Display
Rinse aid indicator	Electronic
Rinse aid indicator display	Yes
Salt indicator display	No
Light indicator on Floor	No
RACK SYSTEM	
Easy fold lower rack folding tines	Yes
Lower rack embossed stainless handle	No
Cutlery basket	Standard
Upper rack (inset shelves)	4
Easy fold upper rack folding tines	Yes
Adjustable upper rack	Loaded
Multipurpose removable 3rd rack	No
Lower basket wine glass holder	No
Nylon coated racks	Yes
DIMENSIONS	
HxWxD, in.	32 1/4" x 17 5/8" x 21 9/16"
Product weight, lbs.	75
HxWxD, cm	82 x 44.8 x 54.8
Product weight, kg	34
ENVIRONMENTAL STANDARDS	
ENERGY STAR® qualified	Yes
Energy consumption, kWh/year	229
Water consumption, gal/cycle	2.54 - 4.07
RoHS compliant (Lead free)	Yes
OPTIONS	
Stainless Steel	DDS25840X
Panel Ready	DIS25840

18 INCH FULLY INTEGRATED DISHWASHER

DDS25840X / DIS25840

Outstanding Features



SilentTech

Quiet talks over after-dinner coffee, book reports written at the kitchen table, movie night in the adjoining room, all made possible by Beko's SilentTech insulation technology. SilentTech suppresses dishwasher noise while extra insulation keeps heat in, for a high energy efficiency combination that really cleans up.



ProSmart Inverter Motor

There's no reason to sacrifice the serenity of your kitchen for a dishwasher cycle. Our advanced ProSmart Inverter Motor that helps power Beko's cleaning is twice as quiet as standard motors. Plus, it saves water and energy, so you can have some peace with your quiet.



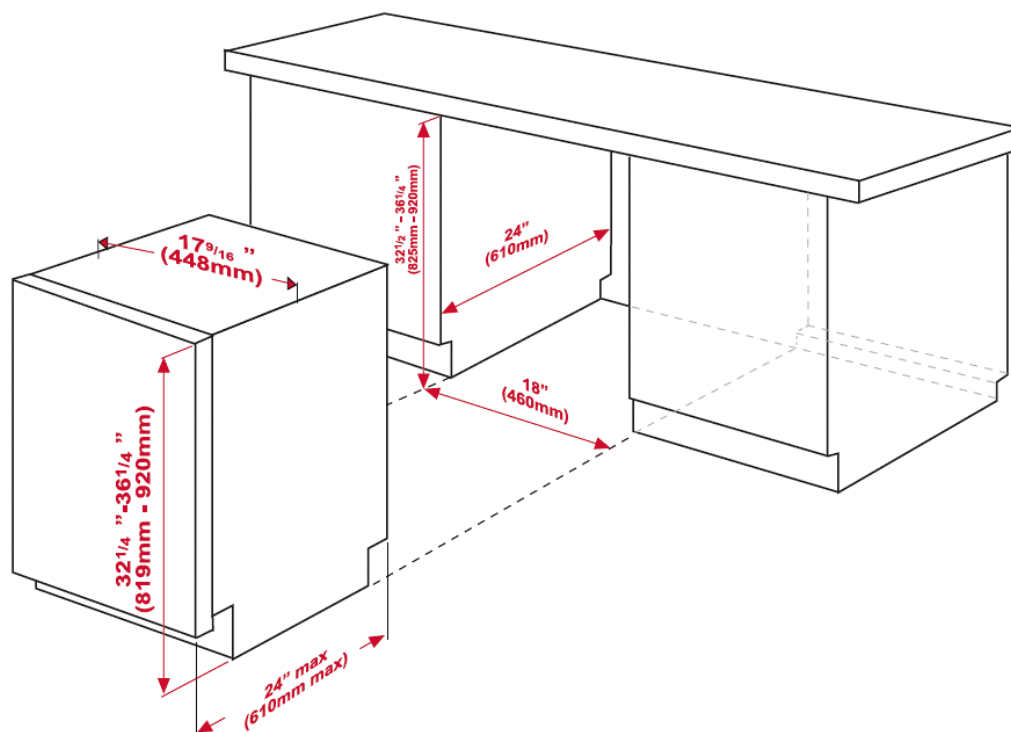
ENERGY STAR® Most Energy Efficient 2017

Meeting rigorous energy efficiency performance levels set by the U.S. Environmental Protection Agency, Beko dishwashers received the ENERGY STAR® Most Efficient Mark. Beko Most energy efficient dishwashers have average energy savings of 22% and water savings of 36% compared to the federal standard.

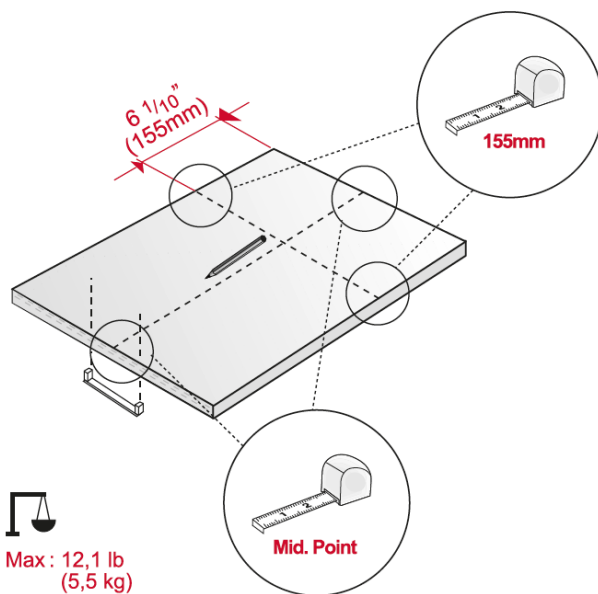
18 INCH FULLY INTEGRATED DISHWASHER

DDS25840X / DIS25840

Dimensions and Installation



Panel requirements for panel ready models:



Max : 12,1 lb
(5,5 kg)

NOTE TO THE INSTALLER: All height, width and depth dimensions are shown in inches (as well as metric). Beko US Inc. reserves the absolute and unrestricted right to change product materials and specifications, at any time, without notice. Please visit our website www.blombergappliances.us or call 888 352 2356 to verify the latest specifications with final dimensional data and other details prior to installation and making a cutout. Applicable product limited warranty information may be found in accompanying product materials or you may contact your account manager for further details. Proper installation is the responsibility of the installer. Product failure due to improper installation is not covered under the Limited Warranty.