

# 24" Top Control Dishwasher

**DDN25401X**


## KEY FEATURES

- 5 Programs
- 48 dBA
- 4 Functions
- Easy Installation
- Concealed Heating Element

## FINISH

Fingerprint-free Stainless Steel

## DIMENSIONS

 $32\frac{13}{64} \times 23\frac{9}{16} \times 22\frac{7}{16}$  in.

### GENERAL

Control Type	Electronic Touch Control
Position	Top Control

### MAIN FEATURES

Loading Capacity (Place Settings)	14
Tub Material	Stainless Steel
Inner Door Material	Stainless Steel
DMSF Overflow Protection	Yes
Delay Timer	$\frac{1}{2}$ – 24 hours
Drying System	Static
ProSmart Inverter Motor	Yes
SilentTech	48 dBA
InnerClean	Yes
All-In-1 Tablet	Yes
Interior High Loop with Air Gap	Yes
Detergent Dispenser Type	Sliding Lid

### FUNCTIONS

$\frac{1}{2}$ Load Function	Yes
Sanitize Function	Yes
Super Rinse Function	Yes
Fast Function	Yes

### PROGRAMS

Number of Programs	5
Heavy Plus (167°F)	Yes
Normal (142°F – 145°F)	Yes
Clean & Shine	Yes
Express (131°F)	Yes
Rinse & Hold	Yes

### DISPLAY

Rinse Aid Indicator	Yes
LED Spot (Light Indicator on Floor)	Yes

### RACK SYSTEM

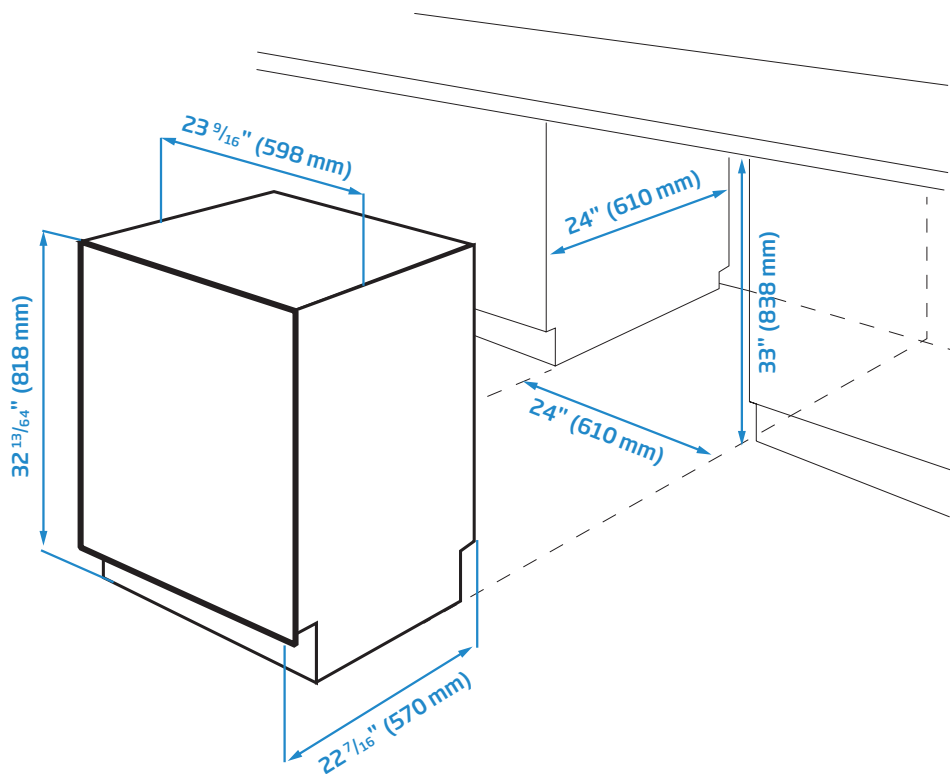
Knife Accessory	Yes
Upper Rack (Inset Shelves)	2
Nylon Coated Racks	Yes

### ENVIRONMENTAL STANDARDS

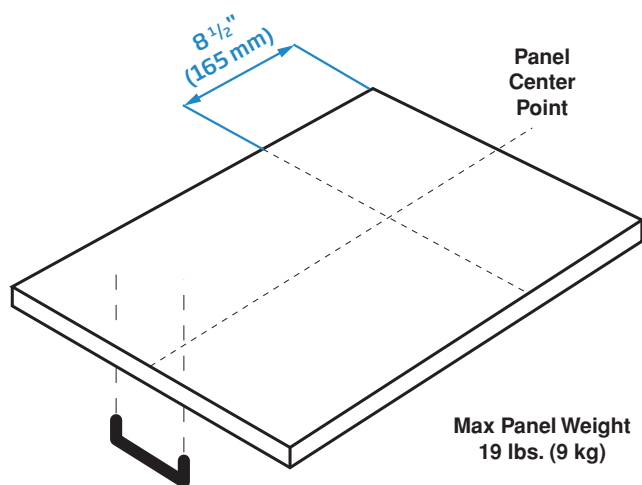
ENERGY STAR® Qualified	Yes
Energy Consumption	234 kWh/year
Water Consumption	2.59 – 5.86 gal./cycle

### DIMENSIONS (DDN25401X)

Required Cutout Dimension H x W x D	33" x 24" x 24"
H x W x D	$32\frac{13}{64}$ " x $23\frac{9}{16}$ " x $22\frac{7}{16}$ " (81.8x59.8x57 cm)
Packed H x W x D	$34\frac{1}{8}$ " x $25\frac{7}{8}$ " x $26\frac{1}{2}$ " (86.7x65.7x67.4 cm)
Product Weight	82.23 lbs. (37.3 kg)
Packed Weight	92.15 lbs. (41.8 kg)



**Panel Ready Recommended Door Panel Size and Thickness:**



DIMENSIONS (DDN25401X)	
H x W x D	32 <sup>13/64</sup> " x 23 <sup>9/16</sup> " x 22 <sup>7/16</sup> " (81.8x59.8x57 cm)
Packed H x W x D	34 <sup>1/8</sup> " x 25 <sup>7/8</sup> " x 26 <sup>1/2</sup> " (86.7x65.7x67.4 cm)
Product Weight	82.23 lbs. (37.3 kg)
Packed Weight	92.15 lbs. (41.8 kg)

NOTE TO THE INSTALLER: All height, width, and depth dimensions are shown in inches (as well as metric). Beko U.S., Inc. reserves the absolute and unrestricted right to change product materials and specifications, at any time, without notice. Please visit our website, [www.BekoAppliances.com](http://www.BekoAppliances.com), or call 888.352.2356 to verify the latest specifications with final dimensional data and other details prior to installation and making a cutout. Applicable product limited warranty information may be found in accompanying product materials, or you may contact your account manager for further details. Proper installation is the responsibility of the installer. Product failure due to improper installation is not covered under the Limited Warranty.