

24 INCH FULLY INTEGRATED DISHWASHER

DDN25400X / DIN25400



Main Features

- 14 place settings
- 5 programs
- 48 dBA silent operation
- ENERGY STAR®
- ProSmart Inverter Motor
- Fast function
- Auto tablet function
- Flow through heater
- 5 level wash
- 3-way filtration system
- NSF certified function
- Built-in high loop with air gap
- Stainless steel tank
- Fingerprint-free stainless steel

Flexible Baskets

- Height adjustable upper rack
- Sliding cutlery basket

Dimensions

H x W X D: 32 1/4" x 23 9/16" x 22 1/2"

| CONTROLS | DDN25400X / DIN25400 |
|-----------------------------------|------------------------------|
| Control Type | Electronic |
| Position | Top |
| MAIN FEATURES | |
| Loading Capacity (place settings) | 14 |
| Tub material | Stainless Steel |
| Inner door material | Stainless Steel |
| DMSF overflow protection | Yes |
| 5 level wash with 3rd spray arm | Yes |
| Delay timer up to 1-24 hour | Yes |
| 3-way filtration system | Yes |
| Drying | Condensation |
| ProSmart Inverter motor | Yes |
| Turbidity sensor | Yes |
| Silence level, dBA | 48 dBA |
| InnerClean | Yes |
| Autotablet function | Yes |
| 1/2 load function | Yes |
| Sanitize function | Yes |
| Super rinse function | Yes |
| Fast function | Yes |
| Interior high loop with airgap | Yes |
| Power plug | Yes |
| PROGRAMS | |
| Number of programs | 5 |
| Heavy Plus (167F rinse temp.) | Yes |
| Normal (142F-145F rinse temp.) | Yes |
| Clean & Shine | Yes |
| Express (131F rinse temp.) | Yes |
| Rinse & Hold | Yes |
| DISPLAY | |
| Program sequence | Yes/Digital Display |
| Rinse aid indicator | Electronic |
| Rinse aid indicator display | Yes |
| Light indicator on Floor | Yes |
| RACK SYSTEM | |
| Cutlery basket | Sliding |
| Upper rack (inset shelves) | 2 |
| Adjustable upper rack | Unloaded |
| Nylon coated racks | Yes |
| DIMENSIONS | |
| HxWxD, in. | 32 1/4" x 23 9/16" x 22 1/2" |
| Product weight, lbs. | 89 |
| HxWxD, cm | 81.8 x 59.8 x 57 |
| Product weight, kg | 40 |
| ENVIRONMENTAL STANDARDS | |
| ENERGY STAR® qualified | Yes |
| Energy consumption, kWh/year | 255 |
| Water consumption, gal/cycle | 3.5 - 5.0 |
| RoHS compliant (Lead free) | Yes |
| OPTIONS | |
| Stainless Steel | DDN25400X |
| Panel Ready | DIN25400 |

24 INCH FULLY INTEGRATED DISHWASHER

DDN25400X / DIN25400

Outstanding Features



SilentTech

Quiet talks over after-dinner coffee, book reports written at the kitchen table, movie night in the adjoining room, all made possible by Beko's SilentTech insulation technology. SilentTech suppresses dishwasher noise while extra insulation keeps heat in, for a high energy efficiency combination that really cleans up.



ProSmart Inverter Motor

There's no reason to sacrifice the serenity of your kitchen for a dishwasher cycle. Our advanced ProSmart Inverter Motor that helps power Beko's cleaning is twice as quiet as standard motors. Plus, it saves water and energy, so you can have some peace with your quiet.



Height Adjustable Upper Rack

Raise the height of the upper basket to wash large plates below or lower it to accommodate tall glasses.



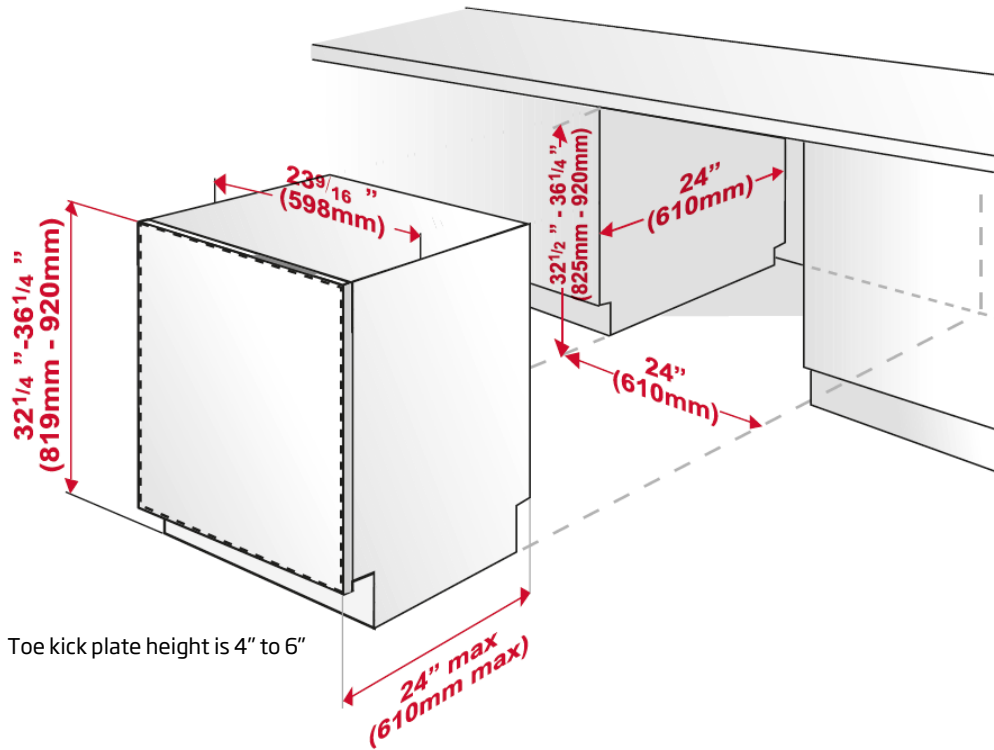
Sliding Cutlery Basket

For added flexibility, the sliding cutlery basket can be placed in any position along the front row of the lower rack.

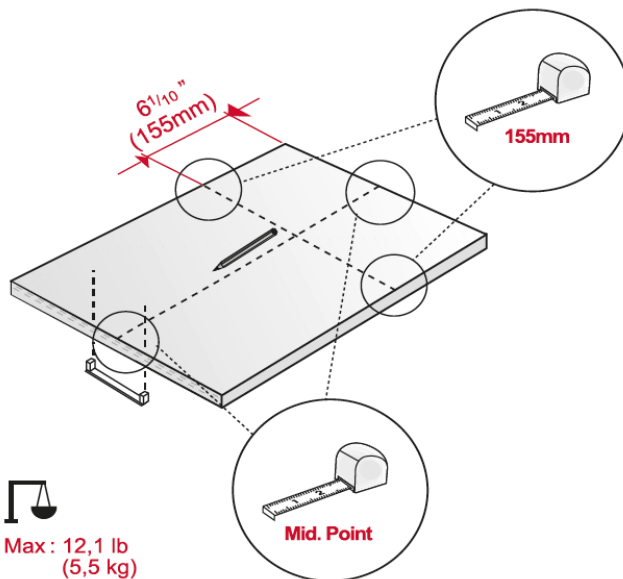
24 INCH FULLY INTEGRATED DISHWASHER

DDN25400X / DIN25400

Dimensions and Installation



Panel requirements for panel ready models:



NOTE TO THE INSTALLER: All height, width and depth dimensions are shown in inches (as well as metric). Beko US Inc. reserves the absolute and unrestricted right to change product materials and specifications, at any time, without notice. Please visit our website www.blombergappliances.us or call 888 352 2356 to verify the latest specifications with final dimensional data and other details prior to installation and making a cutout. Applicable product limited warranty information may be found in accompanying product materials or you may contact your account manager for further details. Proper installation is the responsibility of the installer. Product failure due to improper installation is not covered under the Limited Warranty.