

30" Built-in Wall Oven

WOS30100SS

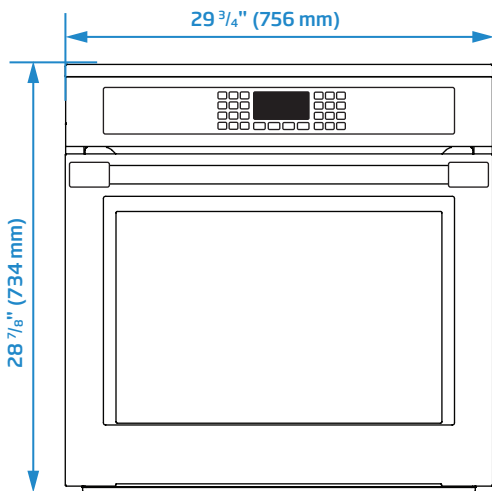


KEY FEATURES

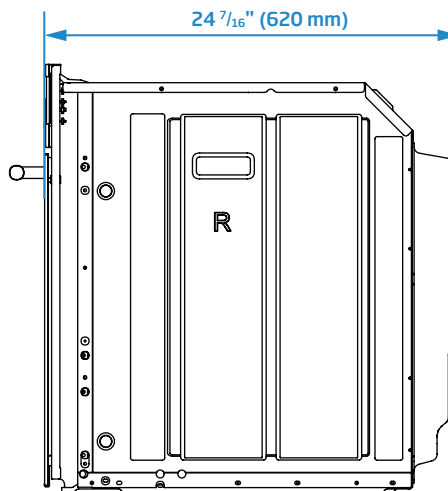
- 12 Cooking Functions
- Full Extension Telescopic Lower Rack
- Cooling Fan
- Door Lock
- Electric Grill
- Slow Cooking
- Warming Function
- Pizza Cooking

GENERAL	
Type	Built-in Oven
Size	30"
Color	Fingerprint-free Stainless Steel
Oven Type / Upper Oven Type	Multifunction
Control Type	LED Multicolor Display
FUNCTIONS	
Convection Broil	Yes
Bake	Yes
Broil	Yes
Defrost	Yes
Fast Preheat	Yes
Self-clean	Yes
SPECIAL FEATURES	
SURF Cooking	Yes
Self-clean (Programmable) with Multilevel Selection	Yes
Cool-touch Door with 4-pane Glass	Yes
Sabbath Mode	Yes
Electronic Timer with Full-touch (Programmable)	Yes
Special Food Preset Programs	Yes
Meat Probe	Yes
2 Wire Oven Racks	Yes
Full Extension Telescopic Rack	Yes, Lower
Easy-to-clean Enamel	Yes
OVEN DOORS	
Oven Glass Window	Yes
Door Cooling System	Yes
ACCESSORIES	
Cavity Enamel Color	Black
Oven Lights	2 x Square Halogen Lights
Broil Lower Heating Element	Yes
Chromed Racks	Yes
TECHNICAL INFORMATION	
kW/Amp rating at 240 V, 60 Hz	220 – 240 V, 60 Hz
DIMENSIONS	
Required Cutout Dim (H x W x D)	28 ¼ x 28 ½ x 24 in.
Overall Dim – Height	28 7/8 in.
Overall Dim – Width	29 ¾ in.
Overall Dim – Depth	24 7/16 in.
Weight (lb./kg)	189.5 lbs. (86 kg)

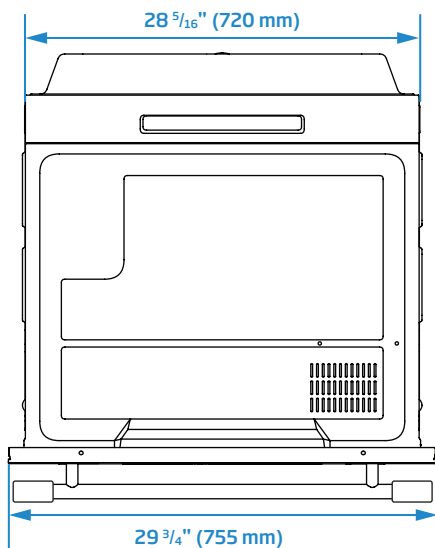
Front



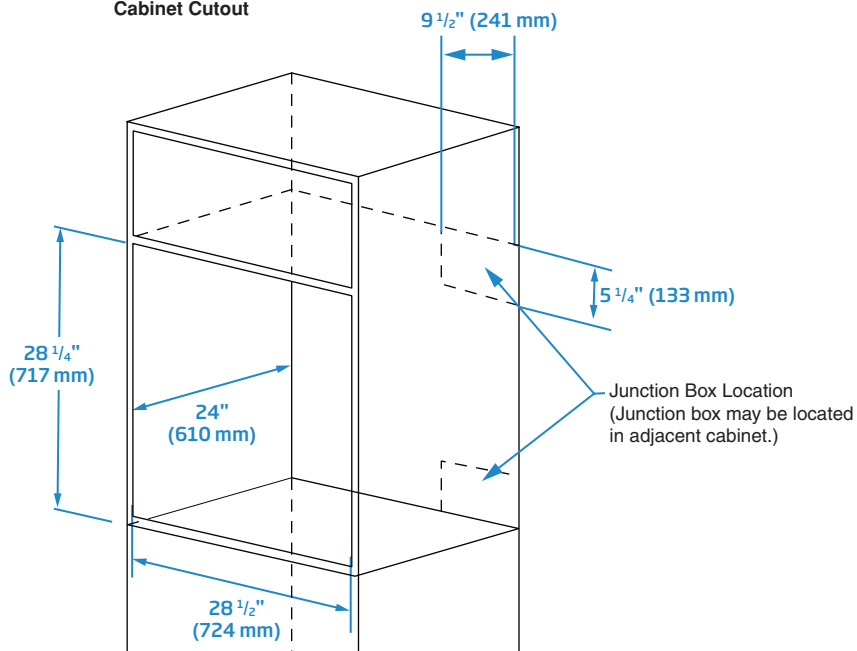
Side



Top



Cabinet Cutout



If installing in lower cabinet, leave 4" (102 mm) minimum clearance below.

NOTE TO THE INSTALLER: All height, width, and depth dimensions are shown in inches (as well as metric). Beko U.S., Inc. reserves the absolute and unrestricted right to change product materials and specifications, at any time, without notice. Please visit our website, www.BekoAppliances.com, or call 888.352.2356 to verify the latest specifications with final dimensional data and other details prior to installation and making a cutout. Applicable product limited warranty information may be found in accompanying product materials, or you may contact your account manager for further details. Proper installation is the responsibility of the installer. Product failure due to improper installation is not covered under the Limited Warranty.