

24" Built-in Wall Oven

WOS24102SS


KEY FEATURES

- LED Touchcontrol Display
- Multifunctional Cooking
- Display Lock
- Electric Grill

FINISH

Fingerprint-free Stainless Steel

DIMENSIONS

 $23 \frac{27}{64} \times 23 \frac{3}{8} \times 22 \frac{21}{64}$ in.

GENERAL

Type	Built-In Oven
Size	24"
Color	Fingerprint-free Stainless Steel
Oven Type / Upper Oven Type	Multi-Function
Control Type	LED Display with Touch Control, Knobs

FUNCTIONS

Convection Broil	N/A
Convection Roast	Yes
Bake	N/A
Broil	N/A
Defrost	Yes
Fast Preheat	Yes

SPECIAL FEATURES

Programmable Electronic Timer with Full-touch	N/A
Large Oven Volume 3.5 cu. ft.	N/A
Oven Volume 2.5 cu. ft.	N/A
Programmable Electronic Timer	N/A
Special Food Preset Programs	N/A
Manual Clean	N/A
Cool Door with 3 Pane Glass	Yes
Meat Probe	N/A
3 Wire Heavy Duty Racks with Grill Pan	N/A
2 Wire Oven Racks	Yes
Full Extension Telescopic Rack	N/A
Easy-to-clean Gray Enamel	N/A
Easy-to-clean Enamel	N/A
Oven Functions with Knob Control	Yes
Interior Lighting with 2 Halogen, White LEDs	N/A
Easy to Remove Side Racks	N/A

OVEN DOORS

Oven Glass Window	Yes
Door Cooling System	N/A

ACCESSORIES

Cavity Enamel Color	Black
Rack Positions	N/A
Oven Lights	1 x Round light (rear)
Broil Upper Heating Element	N/A
Upper Auxiliary Element Wattage	N/A
Concealed Bake Lower Heating Element	N/A
Convection Element Wattage	N/A
Chromed Racks	Yes

TECHNICAL INFORMATION

KW/Amps rating at 240V, 60Hz	220 - 240 V, 60 Hz
Supply Cord & Plug	USA / Canada type plug
Cable	Max 6 ft.

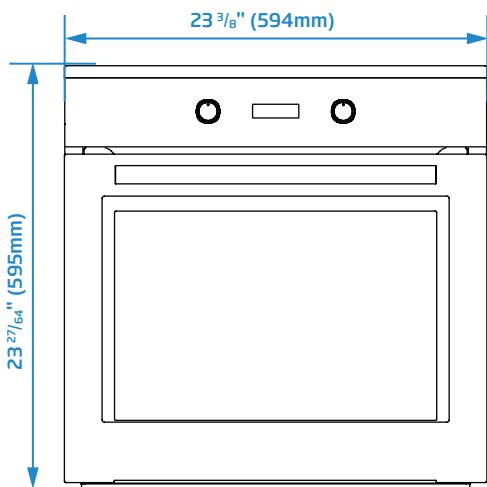
DIMENSIONS

Required cutout dim (H x W x D) (in)	$23 \frac{27}{64} \times 23 \frac{3}{8} \times 22 \frac{21}{64}$ in.
Overall dim - height	$23 \frac{27}{64}$ in.
Overall dim - width	$23 \frac{3}{8}$ in.
Overall dim - depth	$22 \frac{21}{64}$ in.
Weight (lb./kg)	80.68 lbs

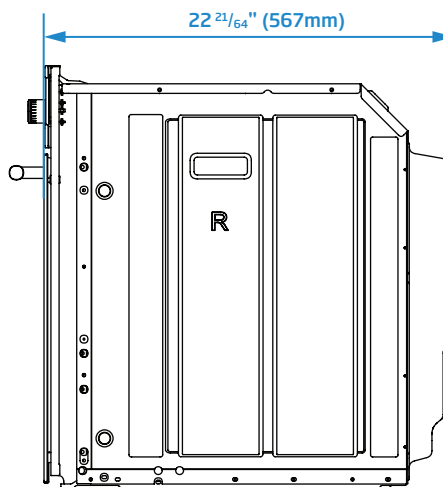
24" Built-in Wall Oven

WOS24102SS

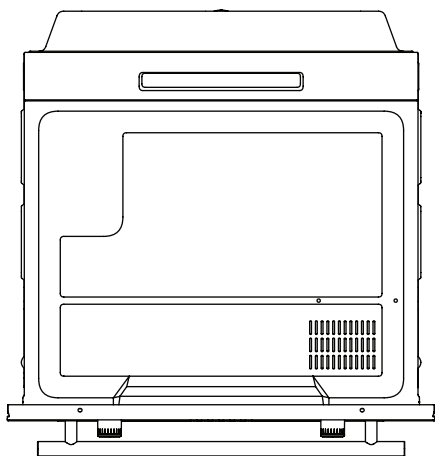
Front



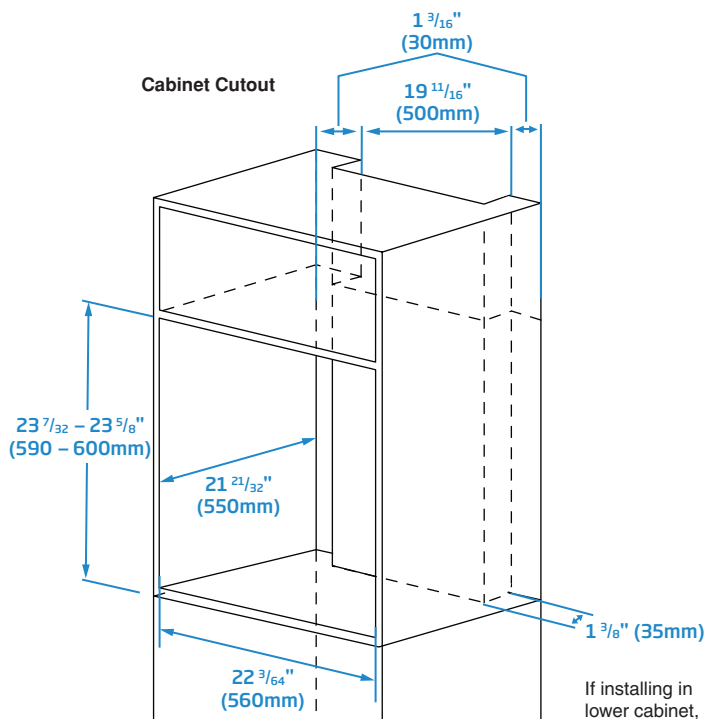
Side



Top



Cabinet Cutout



If installing in lower cabinet, leave 4" (102mm) min clearance below.

NOTE TO THE INSTALLER: All height, width and depth dimensions are shown in inches (as well as metric). Beko US Inc. reserves the absolute and unrestricted right to change product materials and specifications, at any time, without notice. Please visit our website www.beko.us or call 888 352 2356 to verify the latest specifications with final dimensional data and other details prior to installation and making a cutout. Applicable product limited warranty information may be found in accompanying product materials or you may contact your account manager for further details. Proper installation is the responsibility of the installer. Product failure due to improper installation is not covered under the Limited Warranty.