

24 INCH FREESTANDING GAS RANGE

SLGR24410SS



Cooktop

- 4 gas burners
- Easy to clean enamel burner plate
- Electronic ignition knob integrated
- Flame failure safety device
- Cast iron pan supports

Range

- Large oven capacity 2.51 cu. ft.
- 2 Wire Oven Racks
- Easy to remove side racks
- Gas safety valve
- Easy Clean gray enamel
- Interior lighting
- Adjustable feet
- LPG conversion kit

Accessories

- Side trim kit optional
- Island trim included

Dimensions

- H x W X D: 36" x 23 9/16" x 25 3/4"
- Height is without island trim
- Depth includes knobs & handle

GENERAL	SLGR24410SS
Type	Freestanding
Size	24"
Color	Stainless Steel
Side Walls	Black
Control type	Knob Control
FUNCTIONS	
Multi-dimensional Cooking	Yes
Convection Cooking	No
Bottom Heater	Yes
Convection	No
Broiler	No
Broil	Gas
Convection broiler	No
Convection roast	No
True European convection	No
SPECIAL FEATURES	
Splash Back	No
Island Trim	Standard
Simmering	No
Cooling Fan	No
Cavity Enameling Color	Black
Oven Lights	1 x Round light (Rear)
Adjustable Feet	Yes
Anti-tip (tilting) bracket	Yes
Bottom Compartment	No
Fuel Type	NG
LPG Conversion Kit	Yes
OVEN DOOR(S)	
Oven Glass Window	Full Glass
Door Cooling System	2Pane Heat Resistant Glass(fixed)
Net Capacity cu. ft.	2.51 cu. ft.
ACCESSORIES / OVEN CAVITY	
Rack Positions	5 levels
Telescopic Pull-out Shelf System	No
Pyrolytic Self Cleaning	No
Sabbath Mode	No
Broiler Pan	No
Wok adapter	No
Chromed racks	2
COOKTOP	
Zone Configuration	4 Gas
Front Left	10,000 BTU
Rear Left	7,000 BTU
Front Right	7,000 BTU
Rear Right	3,500 BTU
Pan Support Type	Cast iron continuous pan supports
Pan Support Quantity	2
Gas Safety Device for hob	Yes
Gas Safety Device for oven	Yes
DIMENSIONS/WEIGHT	
Required cutout dim (H x W x D) (in)	36" X 24" x 24"
Overall dim - height	36"
Overall dim - width	23 9/16"
Overall dim - depth	25 3/4"
Net weight (lb./kg)	149.5 lbs. /67.8 kilograms
POWER / RATINGS	
KW/Amps rating at 240V, 60Hz	110-120V 60Hz
Supply Cord & Plug	USA
Cable	Yes
INSTRUCTIONS FOR USE	
Use & Care Manual	EN, SP, FR
Installation Manual	EN, SP, FR

24 INCH FREESTANDING GAS RANGE

SLGR24410SS

Outstanding Features



Large Oven Capacity

Beko's oven interiors are among the most spacious in their class. Beko 24 inch ranges offers a generous 2.51 cu. ft. interior volume and you'll have more than enough room to cook your family meals.



Gas Safety Valve

All Beko gas ranges have oven broilers equipped with a safety valve that cuts the gas supply automatically if the broiler extinguishes.



Easy to Clean Gray Enamel

Beko 24-inch oven cavities are coated with a long-lasting, nonporous, gray enamel finish that is not only attractive but also extremely easy to clean. Just a simple wipe with a damp cloth is all it takes to remove fresh spills and keep your oven looking like new.



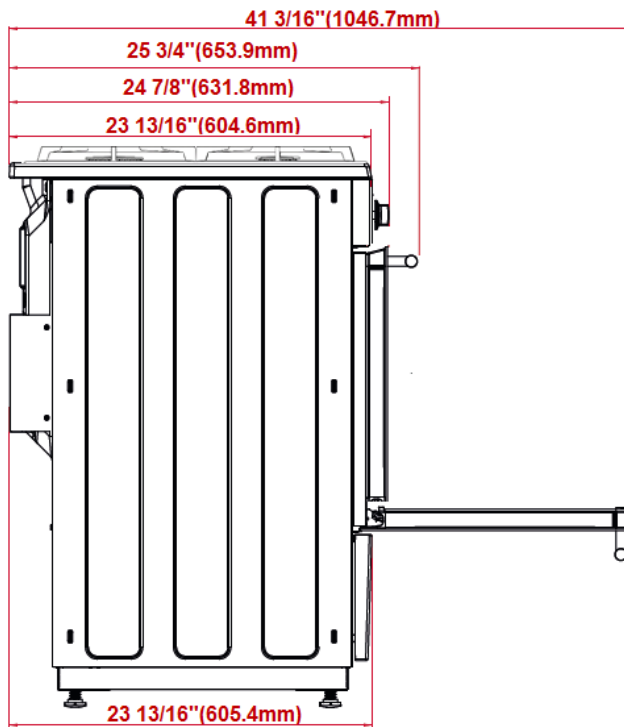
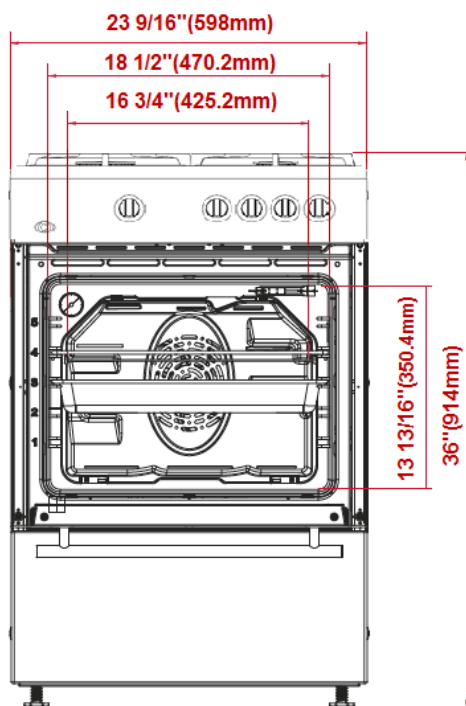
Interior Lighting

For full visibility while baking, braising, and roasting, Beko ovens feature bright interior lighting, including cylindrical lamps placed on the rear wall, and a non-reflective enamel surface that reduces glare on the glass oven door.

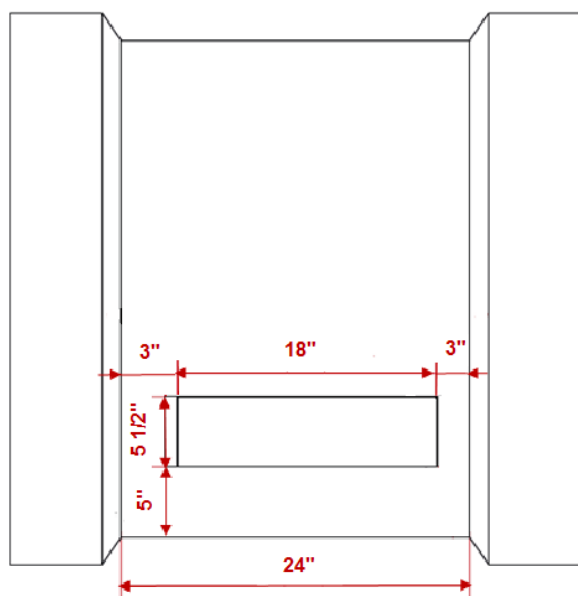
24 INCH FREESTANDING GAS RANGE

SLGR24410SS

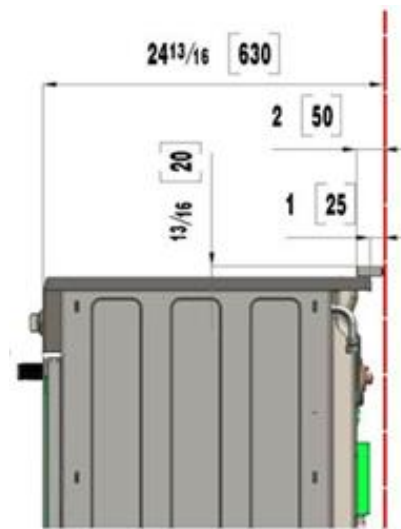
Dimensions and Installation



Cabinet



Required minimum air gap clearances: 1/4" sides



Island trim: standard comes with the range un-attached.
4" High Stainless Splash Back (optional)

NOTE TO THE INSTALLER: All height, width and depth dimensions are shown in inches (as well as metric). Beko US Inc. reserves the absolute and unrestricted right to change product materials and specifications, at any time, without notice. Please visit our website www.blombergappliances.us or call 888 352 2356 to verify the latest specifications with final dimensional data and other details prior to installation and making a cutout. Applicable product limited warranty information may be found in accompanying product materials or you may contact your account manager for further details. Proper installation is the responsibility of the installer. Product failure due to improper installation is not covered under the Limited Warranty.