

30" Over the Range Microwave with Convection

MWOTR30200CSS



KEY FEATURES

- Convection Oven
- 1.5 cu. ft. Interior Capacity
- Touch Control
- Pull-handle Door
- LED Display
- Glass Turntable

FINISH

Stainless Steel

DIMENSIONS

16^{13/32} x 29^{7/8} x 15^{7/8} in.

GENERAL

Door Opening Type	Side Opening – Handling
Control Panel Color	Black & Stainless Steel

MAIN FEATURES

Microwave Watts	900 W
Convection Power	1,450 W
Cooking Technology	Yes
Control Type	Electric
Type of Microwave Oven	Combination Microwave
Timer	Digital Timer
Auto-cooking	Yes
Turntable	Yes
Turntable Size	13.5 in.

CAPACITY

Total Capacity	1.5 cu. ft.
Ventilation Capacity	1,500 cu. ft./min.
Exhaust Capacity	300 cu. ft./min.

ELECTRICAL INFORMATION

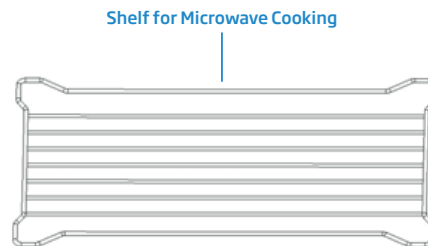
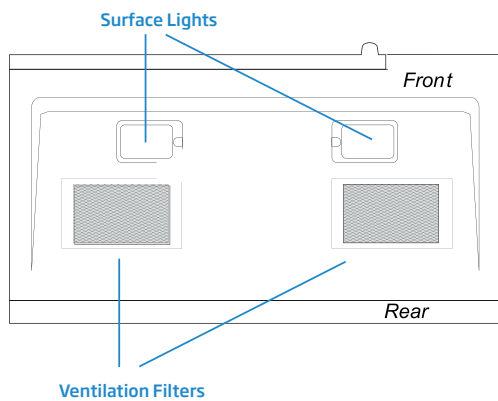
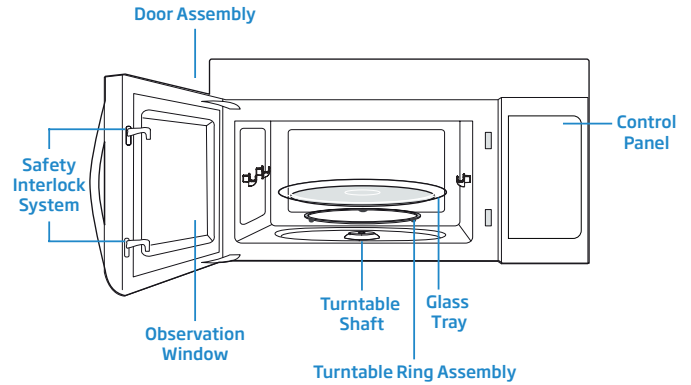
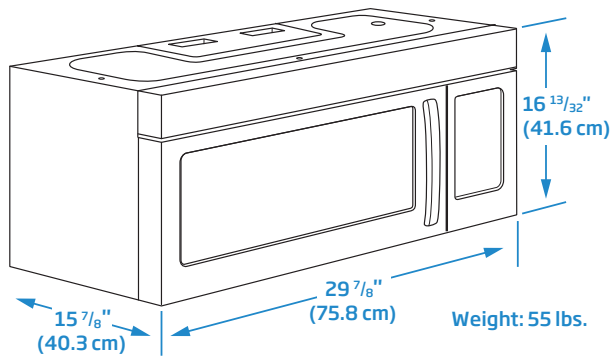
Electrical Input	1,500 W
Electrical Output	900 W
Voltage	120 V
Frequency	60 Hz

DIMENSIONS

Product (H x W x D)	16 ^{13/32} x 29 ^{7/8} x 15 ^{7/8} in.
Cutout Height	16 ^{3/4} – 17 in. clearance
Cutout Width	30 in. clearance
Cutout Depth	12 – 13 in. clearance
Packed Weight	55 lbs. (24.9 kg)

30" Over the Range Microwave with Convection

MWOTR30200CSS



NOTE TO THE INSTALLER: All height, width, and depth dimensions are shown in inches (as well as metric). Beko U.S., Inc. reserves the absolute and unrestricted right to change product materials and specifications, at any time, without notice. Please visit our website, www.BekoAppliances.com, or call 888.352.2356 to verify the latest specifications with final dimensional data and other details prior to installation and making a cutout. Applicable product limited warranty information may be found in accompanying product materials, or you may contact your account manager for further details. Proper installation is the responsibility of the installer. Product failure due to improper installation is not covered under the Limited Warranty.

888.352.BEKO(2356) | BekoAppliances.com

YOUR NEXT LEVEL OF REMARKABLE

