

30" Over the Range Microwave

MWOTR30100SS



GENERAL	
Door Opening Type	Side Opening — Handling
Control Panel Color	Black & Stainless Steel
MAIN FEATURES	
Microwave Watts	1,000 W
Control Type	Electric
Type of Microwave Oven	Microwave
Timer	Digital
Auto-cooking	Yes
Turntable	Yes
Turntable Size	13.5 in.
CAPACITY	
Total Capacity	1.6 cu. ft.
Exhaust Capacity	300 cu. ft./min.
ELECTRICAL INFORMATION	
Electrical Input	1,500 W
Electrical Output	1,000 W
Voltage	120 V
Frequency	60 Hz
DIMENSIONS	
Product (H x W x D)	16 ¹³ / ₃₂ x 29 ⁷ / ₈ x 15 ⁷ / ₈ in.
Cutout Height	16 ³ / ₄ - 17 in. clearance
Cutout Width	30 in. clearance
Cutout Depth	12 - 13 in. clearance
Packed Weight	55 lbs. (24.9 kg)

KEY FEATURES

- 1.6 cu. ft. Interior Capacity
- Touch Control
- Pull-handle Door
- LED Display
- Glass Turntable

FINISH

Stainless Steel

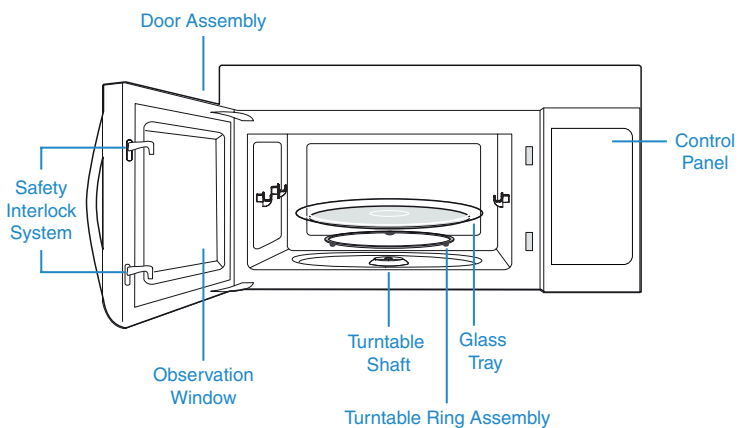
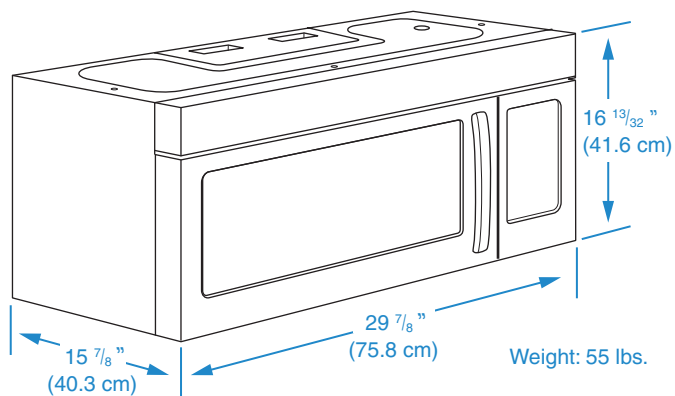
DIMENSIONS

16 ¹³/₃₂ x 29 ⁷/₈ x 15 ⁷/₈ in.



30" Over the Range Microwave

MWOTR30100SS



NOTE TO THE INSTALLER: All height, width, and depth dimensions are shown in inches (as well as metric). Beko U.S., Inc. reserves the absolute and unrestricted right to change product materials and specifications, at any time, without notice. Please visit our website, www.BekoAppliances.com, or call 888.352.2356 to verify the latest specifications with final dimensional data and other details prior to installation and making a cutout. Applicable product limited warranty information may be found in accompanying product materials, or you may contact your account manager for further details. Proper installation is the responsibility of the installer. Product failure due to improper installation is not covered under the Limited Warranty.

888.352.BEKO(2356) | BekoAppliances.com

YOUR NEXT LEVEL OF REMARKABLE

