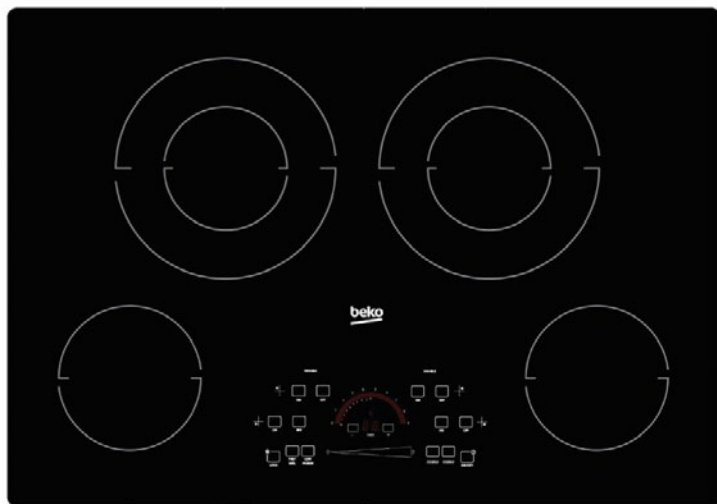


30" Built-in Cooktop

ECTM30102



KEY FEATURES

- 4 Vitroceramic Burners
- Electric Cooktop
- Front Touch Control
- LED Display – Touchslider Control
- Radiant Cooking Zone

FINISH

Tempered Black Glass

DIMENSIONS

2 5/8 x 23 57/64 x 20 43/64 in.

GENERAL

Heating Technology	Electric
Glass Type	Tempered Glass Surface
Color	Black
Frame Type	N/A
Control type	Front Touch Control

BURNER POWER LEVELS

Front Left	5 45/64 in. – 1200 W Hi-Light
Front Right	3 15/16 in. – 650 W Hi-Light
Rear Left	5 45/64 in. – 1200 W Hi-Light
Rear Right	4 47/64 / 8 17/64 in. – 750/2200W Duo/Trio
Central	N/A

FUNCTIONS

Hot Surface Indication	N/A
Timer Function	N/A
Automatic Fast Boil Function	N/A
Command Lock	N/A
Digital Display for Power Level Indication	N/A

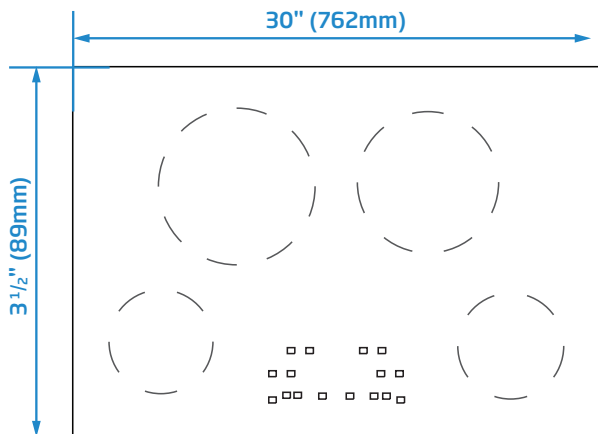
TECHNICAL INFORMATION

KW/Amps Rating at 120 - 240 V, 60 Hz	220 - 240V, 6 kW, 60 Hz, 25 A
Supply Cord & Plug	USA-Canada type plug
Plug Type	Max 6 ft.

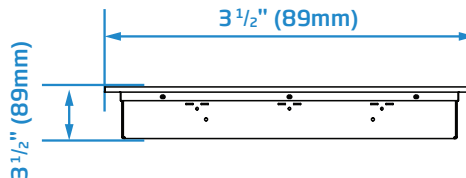
DIMENSIONS

Required Cutout Dim (H x W)	29 x 19 1/4 in.
Overall dim - height	2 5/8 in.
Overall dim - width	23 57/64 in.
Overall dim - depth	20 43/64 in.
Weight (lb./kg)	25.79 lbs

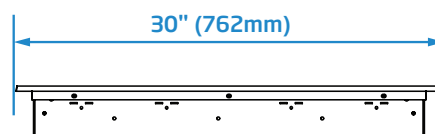
Top



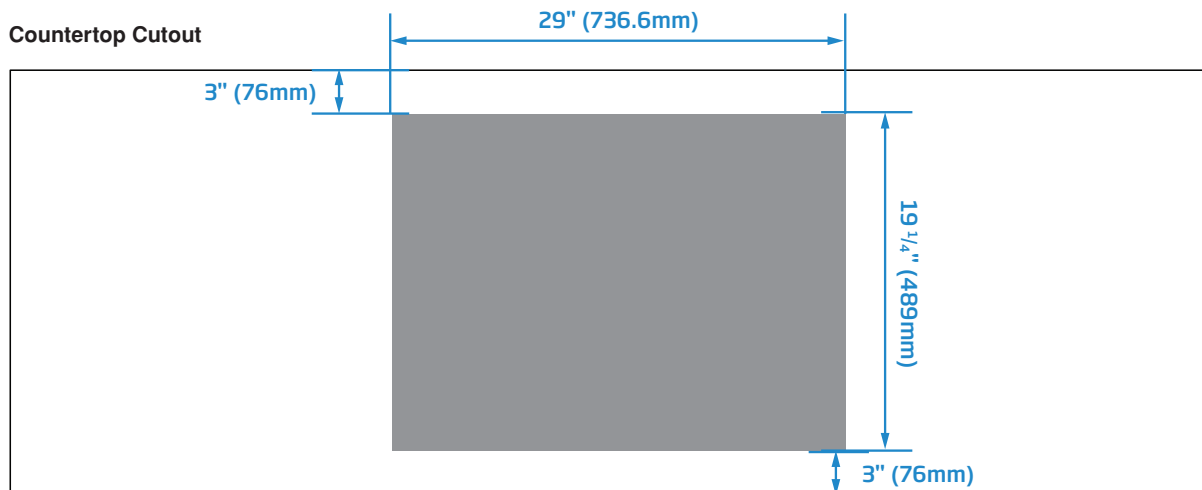
Side – Side View



Front – Side View



Countertop Cutout



NOTE TO THE INSTALLER: All height, width and depth dimensions are shown in inches (as well as metric). Beko US Inc. reserves the absolute and unrestricted right to change product materials and specifications, at any time, without notice. Please visit our website www.beko.us or call 888 352 2356 to verify the latest specifications with final dimensional data and other details prior to installation and making a cutout. Applicable product limited warranty information may be found in accompanying product materials or you may contact your account manager for further details. Proper installation is the responsibility of the installer. Product failure due to improper installation is not covered under the Limited Warranty.