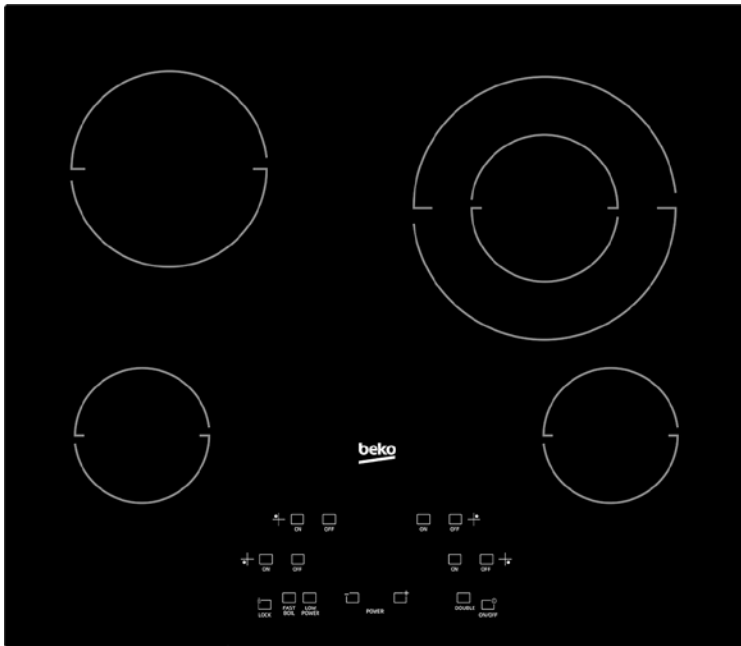


24" Electric Built-in Cooktop

ECTM24102



GENERAL	
Heating Technology	Electric
Glass Type	Tempered Glass Surface
Color	Black
Frame Type	N/A
Control type	Front Touch Control
BURNER POWER LEVELS	
Front Left	3 ¹⁵ / ₁₆ in. – 650 W Hi-Light
Front Right	3 ¹⁵ / ₁₆ in. – 650 W Hi-Light
Rear Left	5 ⁴⁵ / ₆₄ in. – 1200 W Hi-Light
Rear Right	4 ⁴⁷ / ₆₄ / 8 ¹⁷ / ₆₄ in. – 750 / 2200 W Duo
Central	N/A
FUNCTIONS	
Hot Surface Indication	Yes
Timer Function	Yes
Automatic Fast Boil Function	N/A
Command Lock	N/A
Digital Display for Power Level Indication	Yes
TECHNICAL INFORMATION	
KW/Amps Rating at 120 - 240 V, 60 Hz	220 - 240 V, 60 Hz
Supply Cord & Plug	USA-Canada type plug
Plug Type	Max 6 ft.
DIMENSIONS	
Required Cutout Dim (H x W)	28 ³ / ₈ x 19 ²¹ / ₆₄ in.
Overall dim - height	1 ²⁹ / ₆₄ in.
Overall dim - width	22 ⁵³ / ₆₄ in.
Overall dim - depth	20 ⁵ / ₆₄ in.
Weight (lb./kg)	25.8 lbs

KEY FEATURES

- Front Touch Control
- Glass Burner Plate
- Timer
- Residual Heat Indicators
- Automatic Shut-off
- 9 Cooking Levels
- Digital Display
- Overheat Safety System

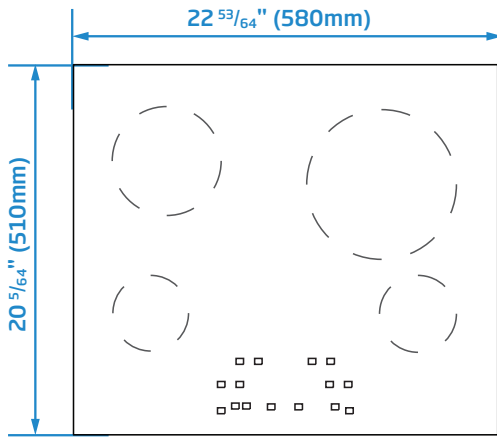
FINISH

Tempered Black Glass

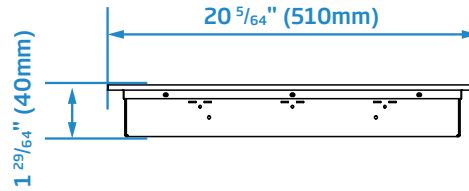
DIMENSIONS

1²⁹/₆₄ x 22⁵³/₆₄ x 20⁵/₆₄ in.

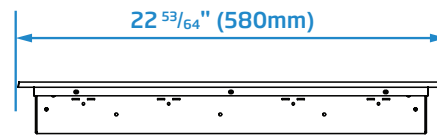
Top



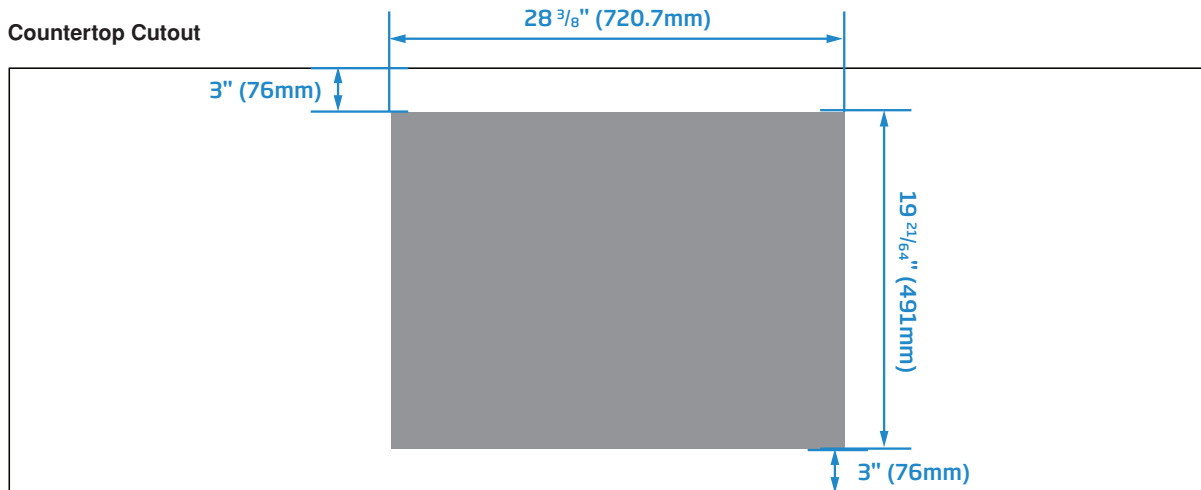
Side – Side View



Front – Side View



Countertop Cutout



NOTE TO THE INSTALLER: All height, width and depth dimensions are shown in inches (as well as metric). Beko US Inc. reserves the absolute and unrestricted right to change product materials and specifications, at any time, without notice. Please visit our website www.beko.us or call 888 352 2356 to verify the latest specifications with final dimensional data and other details prior to installation and making a cutout. Applicable product limited warranty information may be found in accompanying product materials or you may contact your account manager for further details. Proper installation is the responsibility of the installer. Product failure due to improper installation is not covered under the Limited Warranty.