

# 30" Under Cabinet — Professional Range Hood

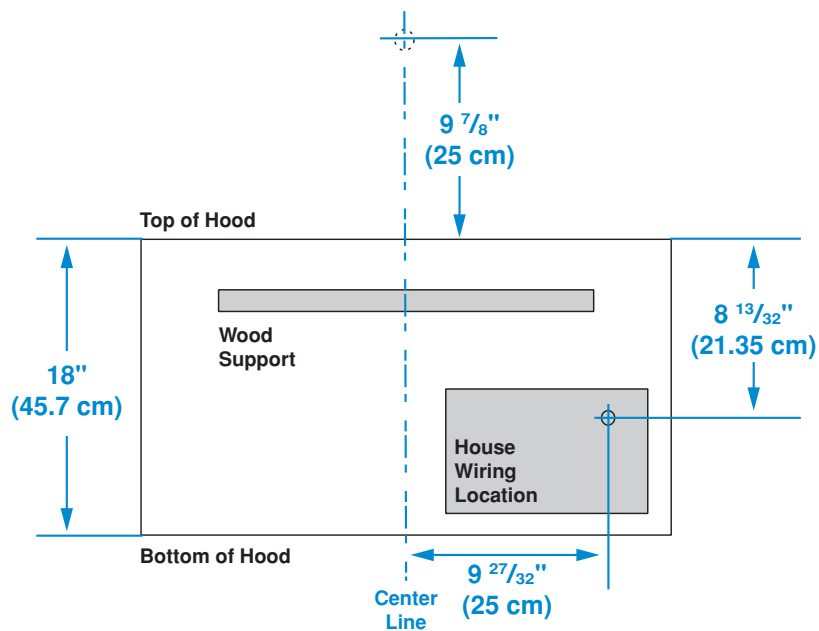
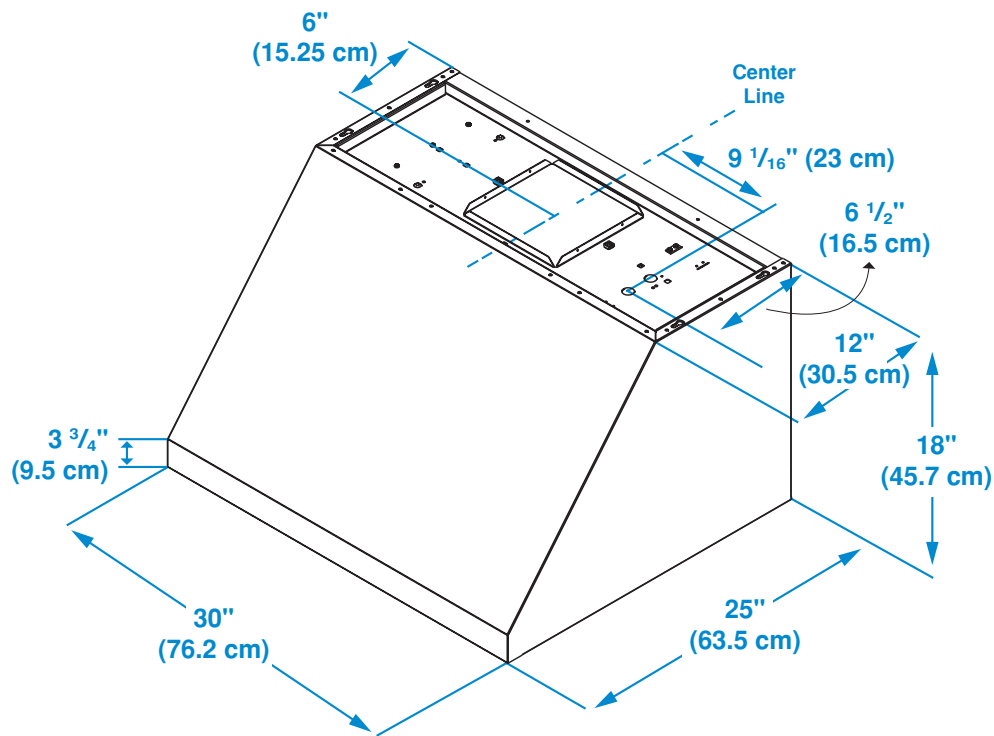
**CHP30100CF**



## KEY FEATURES

- Knob Control
- 600CFM Suction Power with
- Direct Ducting-Charcoal Filter for Ductless use Availability
- Stainless Baffle- Dishwasher Safe Grease Filters
- LED Lights 7.5 W Each -Surface Light Adjustable Illumination
- Max Height Range for Installation- 30"electric, 36" gas

FEATURES	
Hood Type	Canopy
Control Type	Knobs
Hood Width	30 in.
Finish	Graphite
PERFORMANCE	
Intensive Setting (Booster)	Yes
No. of Power Levels	4
Number of Motors	1
Maximum Ventilation Capacity	738 cu. meters / hour
Minimum Ventilation Capacity	303 cu. meters / hour
Ventilation Capacities	303 - 510 - 738 - 876 cu. meters / hour
Maximum Noise Level (Sound Power)	71 dBA
Minimum Noise Level (Sound Power)	49 dBA
Noise Level (Sound Power)	49 - 63 - 71 - 74 dBA
Total Power Consumption	550 W
HOOD FEATURES	
Type of Lighting	LED
No. of Lights	2
Power of Lights	7.5 W
No. of Grease Filters	2
Type Of Grease Filters	Stainless Steel Baffle Filter
Dishwasher Safe Filters	Yes
Flape (Ducted Operation)	Yes
Fitting Kit (Screws)	Yes
DESIGN	
Control Panel Design	Flat Panel
Control Panel Type	Metal
Body Color	Graphite
Chimney Color	Graphite
Chimney Material	Graphite
Body Material	Graphite
TECHNICAL INFORMATION	
Voltage	120 V
Frequency	60 Hz
DIMENSIONS	
H x W x D	18 7/8 x 30 x 23 in. (46.7 x 76 x 58.4 cm)
Product Weight	62 lbs. (28 kg)
Packed H x W x D	24 5/8 x 35 1/8 x 30 in. (62.5 x 89.2 x 76.2 cm)
Packed Weight	82.5 lbs. (37.4 kg)



NOTE TO THE INSTALLER: All height, width and depth dimensions are shown in inches (as well as metric). Beko US Inc. reserves the absolute and unrestricted right to change product materials and specifications, at any time, without notice. Please visit our website [www.beko.us](http://www.beko.us) or call 888 352 2356 to verify the latest specifications with final dimensional data and other details prior to installation and making a cutout. Applicable product limited warranty information may be found in accompanying product materials or you may contact your account manager for further details. Proper installation is the responsibility of the installer. Product failure due to improper installation is not covered under the Limited Warranty.