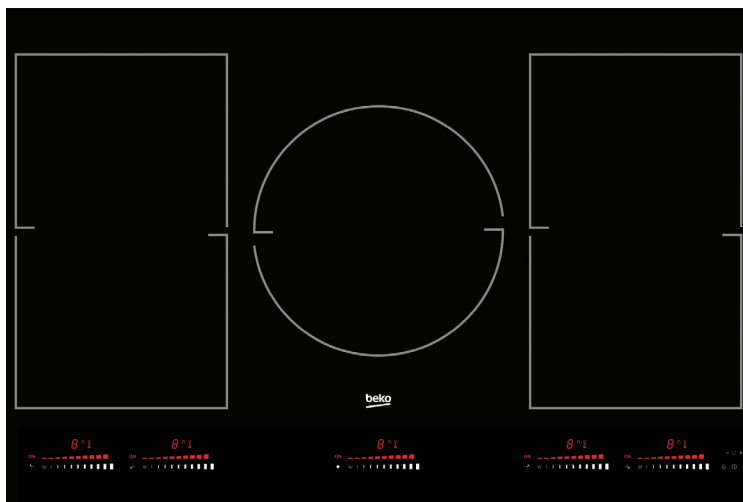


# 36" Induction Cooktop

**BCTI36510**



## KEY FEATURES

- 5 Induction Zones
- 9 Cooking Levels
- Automatic Pan Recognition
- On/Off Light
- Fully Automatic Cooling System
- Warming Function

### GENERAL

Size	36"
Finish	Frameless Black Glass
Heating Technology	Induction
Control Type	Front Touch slide Control

### BURNER FEATURES

Number of Burners	5
Digital Display Type	LED, Slide Control
Timer	Yes
Cooking Levels	9
Booster	Yes
Residual Heat Indicators	Yes
Display Lock	Yes

### BURNER POWER LEVELS

Front Left	7" x 7 <sup>7</sup> / <sub>8</sub> " — 2,100/3,700 W
Front Right	7" x 7 <sup>7</sup> / <sub>8</sub> " — 2,100/3,700 W
Rear Left	7" x 7 <sup>7</sup> / <sub>8</sub> " — 2,100/3,700 W
Rear Right	7" x 7 <sup>7</sup> / <sub>8</sub> " — 2,100/3,700 W
Center	11" — 2,500/3,700 W (Max/Boost)
Total Power	11,100 W

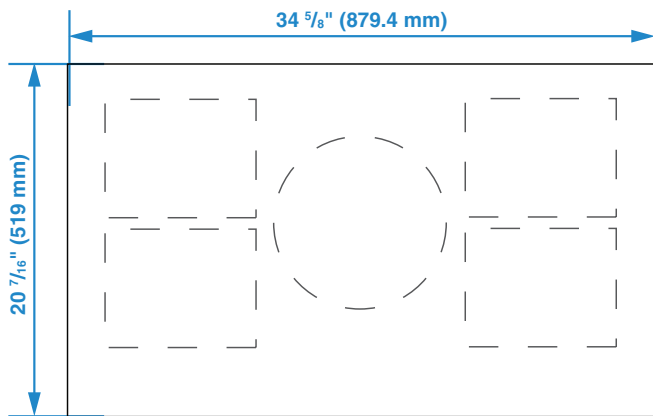
### POWER / RATINGS

Voltage / Frequency	220–240 V, 50–60 Hz
---------------------	---------------------

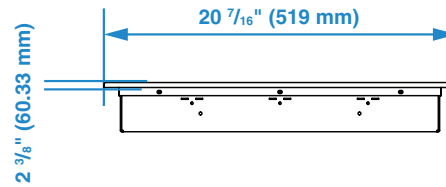
### DIMENSIONS

Required Cutout Dimension (H x W x D)	31 <sup>7</sup> / <sub>8</sub> x 19 <sup>5</sup> / <sub>16</sub> in.
H x W x D	2 <sup>3</sup> / <sub>8</sub> x 34 <sup>5</sup> / <sub>8</sub> x 20 <sup>7</sup> / <sub>16</sub> in. (.6 x 88 x 52 cm)
Product Weight	28.66 lbs. (13 kg)
Packed H x W x D	4 <sup>3</sup> / <sub>4</sub> x 37 <sup>13</sup> / <sub>32</sub> x 23 <sup>5</sup> / <sub>8</sub> in. (12 x 95 x 60 cm)
Packed Weight	33 lbs. (15 kg)

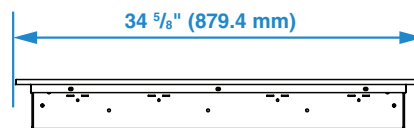
Top



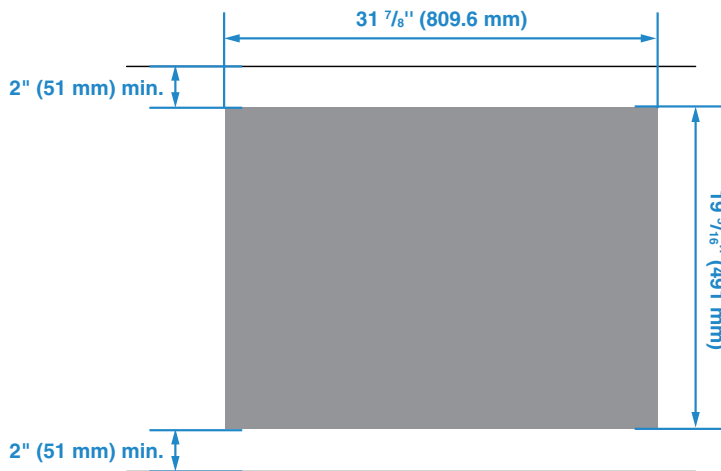
Side – Side View



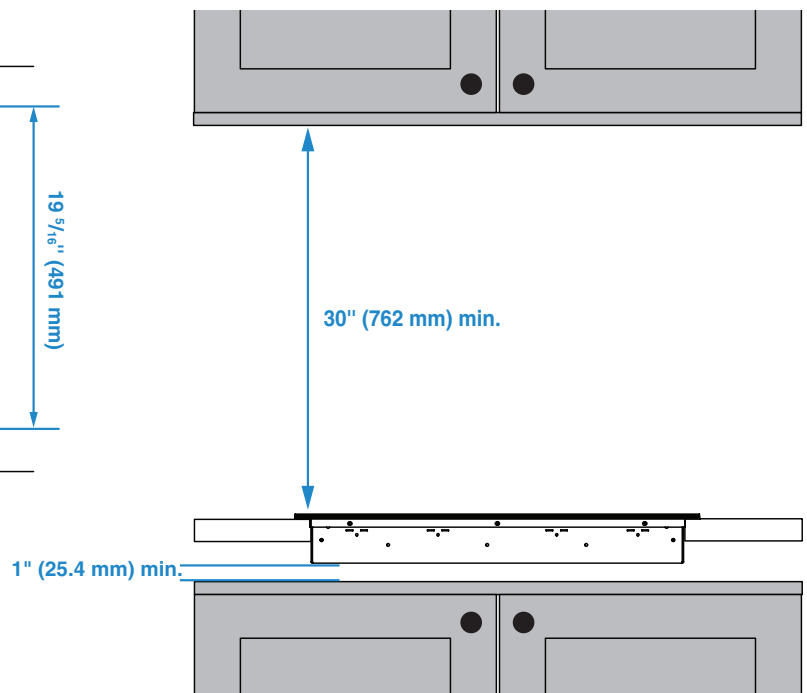
Front – Side View



Countertop Cutout



Cabinet Space



NOTE TO THE INSTALLER: All height, width and depth dimensions are shown in inches (as well as metric). Beko US Inc. reserves the absolute and unrestricted right to change product materials and specifications, at any time, without notice. Please visit our website [www.beko.us](http://www.beko.us) or call 888 352 2356 to verify the latest specifications with final dimensional data and other details prior to installation and making a cutout. Applicable product limited warranty information may be found in accompanying product materials or you may contact your account manager for further details. Proper installation is the responsibility of the installer. Product failure due to improper installation is not covered under the Limited Warranty.