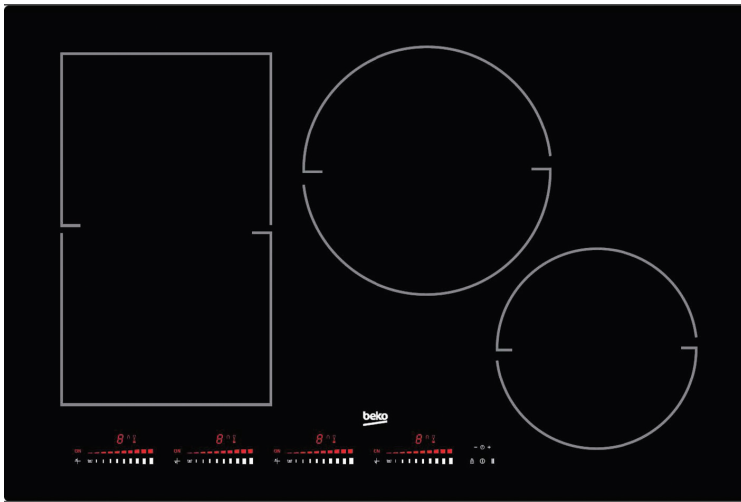


# 30" Induction Cooktop

**BCTI30410**



GENERAL	
Heating Technology	Electric (Induction)
Color	Black Glass
Frame Type	Frameless
Control Type	Front Touch Control
BURNER POWER LEVELS	
Front Left	8 5/8 x 7 1/16 in. — 2,100 / 3,700 W Hi-Light
Front Right	9 in. — 2,600 / 3,700 W Hi-Light
Rear Left	8 5/8 x 7 1/16 in. — 2,100 / 3,700 W Hi-Light
Rear Right	11 in. — 2,600 / 3,700 W Hi-Light
Maximum Power	7400 W
FUNCTIONS	
Hot Surface Indication	Yes
Timer Function	Yes
Command Lock	Yes
Digital Display for Power Level Indication	Yes
Booster	Yes
SPECIAL FEATURES	
Integrated Ignition	Yes
Knob Control with Electronic Safety	Yes
Knob Illumination with Indicator LEDs	LED Display — Slide Control
TECHNICAL INFORMATION	
KW/Amps Rating	220 – 240V, 60 Hz, 40 Amps
DIMENSIONS	
Required Cutout Dim (W x D)	29 1/2 x 19 5/16 in.
Overall Dim — Height	2 3/8 in.
Overall Dim — Width	30 11/16 in.
Overall Dim — Depth	20 7/16 in.
Weight (lb./kg)	25.8 lbs. / 11.7 kg

## KEY FEATURES

- Power Shared Electronic Slide Touch
- 4 Induction Zones
- Programmable Cooking Timer
- 40 A Rating
- Automatic Pan Recognition
- 9 Cooking Levels
- Residual Heat Indicators

## FINISH

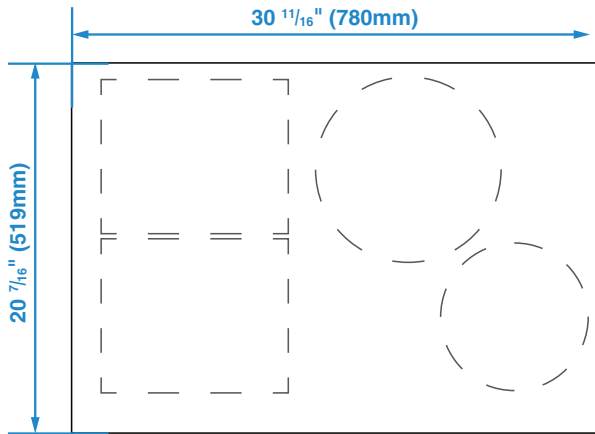
Tempered Black Glass

## DIMENSIONS

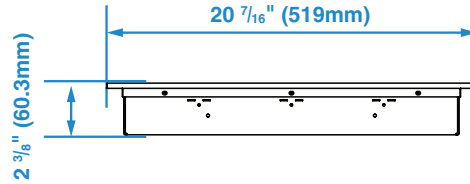
3 1/2 x 30 11/16 x 20 7/16 in.



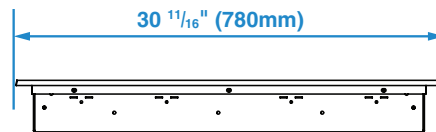
Top



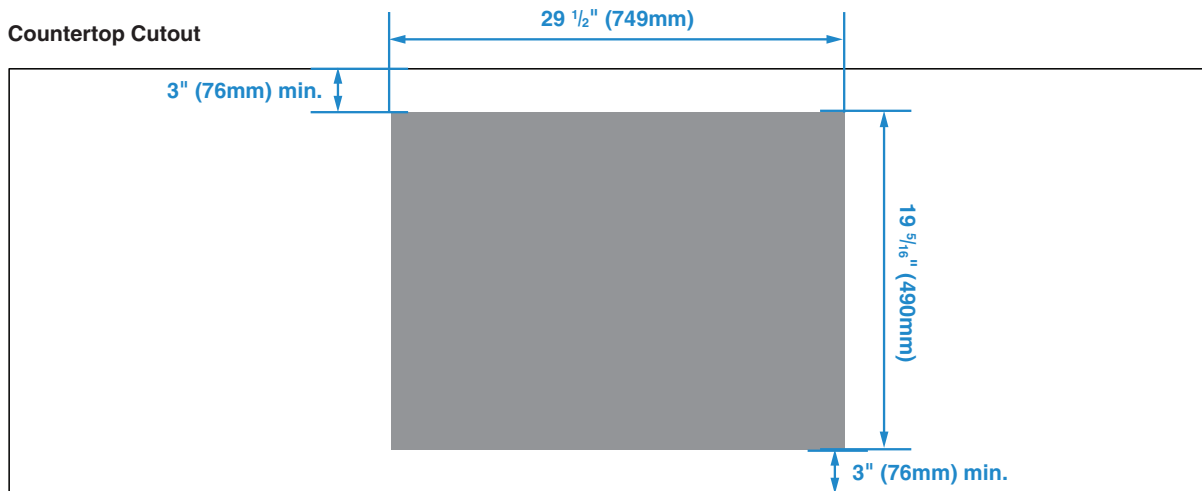
Side – Side View



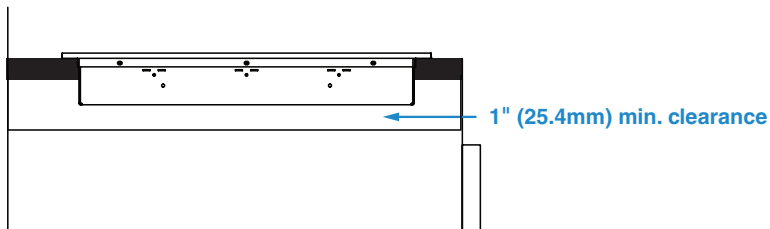
Front – Side View



Countertop Cutout



Under Counter - Side View



NOTE TO THE INSTALLER: All height, width and depth dimensions are shown in inches (as well as metric). Beko US Inc. reserves the absolute and unrestricted right to change product materials and specifications, at any time, without notice. Please visit our website [www.beko.us](http://www.beko.us) or call 888 352 2356 to verify the latest specifications with final dimensional data and other details prior to installation and making a cutout. Applicable product limited warranty information may be found in accompanying product materials or you may contact your account manager for further details. Proper installation is the responsibility of the installer. Product failure due to improper installation is not covered under the Limited Warranty.