

24" Gas Built-in Cooktop

BCTG24400SS



KEY FEATURES

- Integrated Ignition
- Cast Iron Pan Support
- Energy Efficient

FINISH

Stainless Steel

DIMENSIONS

2 ³/₄ x 22 ⁵³/₆₄ x 20 ¹/₁₆ in.

GENERAL

Heating Technology	Gas
Glass Type	N/A
Color	Metal/Stainless Steel
Frame Type	Stainless Steel
Control type	Front Knob Control - No Knob Illumination

BURNER POWER LEVELS

Front Left	10,000 BTU
Front Right	10,000 BTU
Rear Left	6,000 BTU
Rear Right	6,000 BTU
Central	N/A

SPECIAL FEATURES

Integrated Ignition	Yes
High Grade Stainless Steel	N/A
Knob Control with Electronic Safety	N/A
Knob Illumination with Indicator LEDs	N/A

ACCESSORIES

Griddle Pan	Yes, optional
-------------	---------------

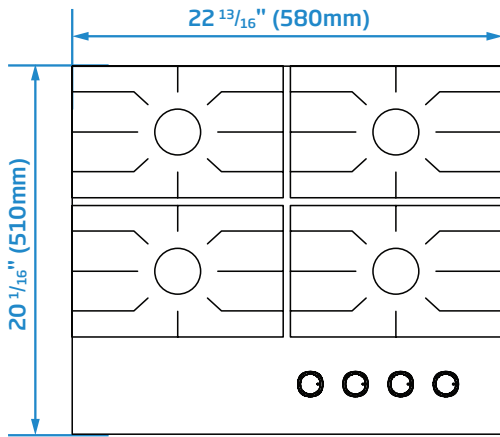
TECHNICAL INFORMATION

KW/Amps Rating at 120 - 240 V, 60 Hz	220 - 230V, 50Hz
Supply Cord & Plug	USA-Canada type plug
Plug Type	Max 6 ft.

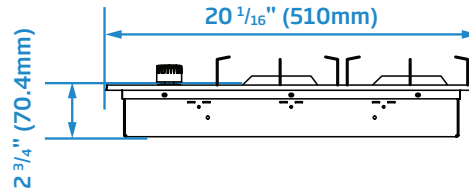
DIMENSIONS

Required Cutout Dim (H x W)	20 ⁷ / ₈ x 19 ⁵ / ₁₆ in.
Overall dim - height	2 ³ / ₄ in.
Overall dim - width	22 ⁵³ / ₆₄ in.
Overall dim - depth	20 ¹ / ₁₆ in.
Weight (lb./kg)	33 lbs

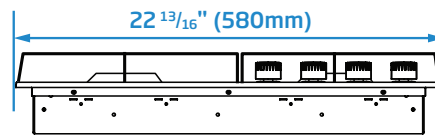
Top



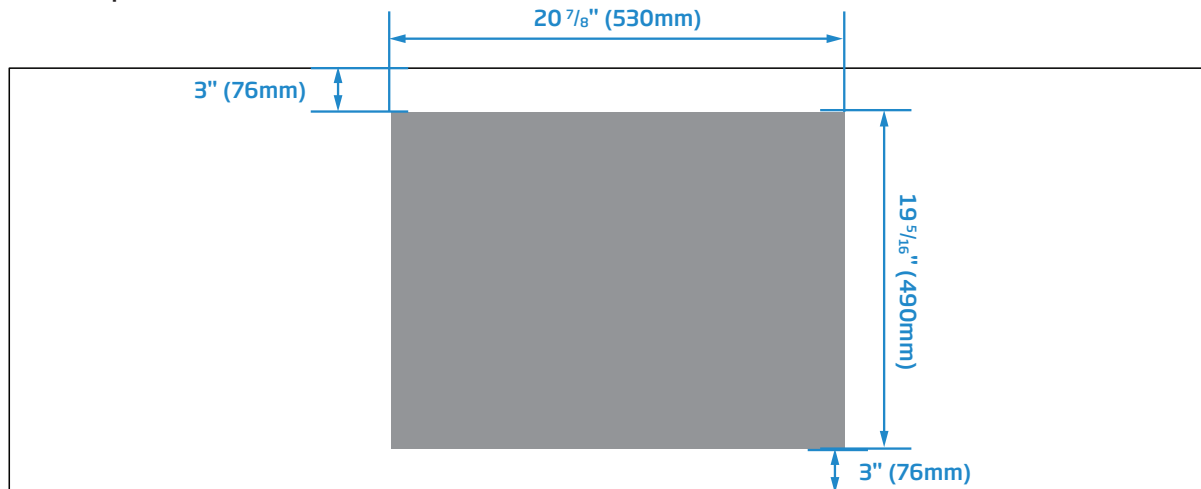
Side – Side View



Front – Side View



Countertop Cutout



NOTE TO THE INSTALLER: All height, width and depth dimensions are shown in inches (as well as metric). Beko US Inc. reserves the absolute and unrestricted right to change product materials and specifications, at any time, without notice. Please visit our website www.beko.us or call 888 352 2356 to verify the latest specifications with final dimensional data and other details prior to installation and making a cutout. Applicable product limited warranty information may be found in accompanying product materials or you may contact your account manager for further details. Proper installation is the responsibility of the installer. Product failure due to improper installation is not covered under the Limited Warranty.