

Over The Range Microwave Oven

User Manual



MWOTR 30100 SS | MWOTR 30100 BL

EN | FR

01M-8851283200-2516-02

beko

Please read this manual first!




Dear Customer,

Thank you for preferring a Beko product. We hope that you get the best results from your product which has been manufactured with high quality and state-of-the-art technology. Therefore, please read this entire user manual and all other accompanying documents carefully before using the product and keep it as a reference for future use. If you handover the product to someone else, give the user manual as well. Follow all warnings and information in the user manual.

Remember that this user manual is also applicable for several other models. Differences between the models are explicitly described in the manual.

Meanings of the symbols

Following symbols are used in the various section of this user manual:

	Important information and useful hints about usage.
	Warnings for dangerous situations concerning the safety of life and property.
	Warning for hot surfaces.



This product has been manufactured in environmental friendly modern plants without giving any harm to the nature.

CONTENTS

1 Important safety and environmental instructions 4

1.1 General safety	4
1.2 Intended use	8
1.3 Children's safety	9
1.4 Compliance with the WEEE Directive and disposal of waste products	10
1.5 Package information	10

2 Your over the range convection microwave oven 11

2.1 Overview	11
2.2 Technical data	11
2.3 Installing the turntable	12

3 Installation 13

3.1 Installation	13
------------------------	----

4 Operation 14

4.1 Control Panel and Features	14
4.2 Operation Instructions	14
4.2.1 Clock Setting	14
4.2.2 Microwave Cooking	14
4.2.3 Multi-stage Cooking	15
4.2.4 Speedy Cooking	15
4.2.5 Defrost Cooking	15
4.2.6 Hood Function	16
4.2.7 Oven Lamp	16
4.2.8 Timer Function	16
4.2.9 Display On/Off Function	16
4.2.10 Popcorn Menu	16
4.2.11 Baked Potato Menu	16
4.2.12 Beverage Menu	17
4.2.13 Reheat Menu	17
4.2.14 Inquiring Function	17
4.2.15 Lock Function For Children	17

5 Maintenance 18

5.1 Troubleshooting	18
---------------------------	----

6 Guarantee and Service 19

1 Important safety and environmental instructions

Important Safety Instructions Read Carefully And Keep For Future Reference

This section contains safety instructions that will help protect from risk of fire, electric shock, exposure to leak microwave energy, personal injury or property damage. Failure to follow these instructions shall void any warranty.

1.1 General safety

- The microwave oven is intended for heating food and beverages. Drying of food or clothing and heating of warming pads, slippers, sponges, damp cloth and similar may lead to risk of injury, ignition or fire.

This appliance is intended to be used in household and similar applications such as:

- Staff kitchen areas in shops, offices and other working environments;
- Farm houses
- By clients in hotels, motels and other residential type environments;
- Bed and Breakfast type environments.

- Do not attempt to start the oven when its door is open; otherwise you may be exposed to harmful microwave energy. Safety locks should not be disabled or tampered with.
- Do not place any object between the front side and the door of the oven. Do not allow dirt or cleaning agent remnants built-up on the closure surfaces.
- Any service works involving removal of the cover that provides protection against exposure to microwave energy must be performed by authorized persons/service. Any other approach is dangerous.
- Your product is intended for cooking, heating and defrost food at home. It must not be used for commercial purposes. Manufacturer shall not be held liable for damages that have arisen from misuse.
- Do not use this appliance outdoors, bathrooms, humid environments or in places where the it can get wet.
- No responsibility or warranty claim shall be assumed for damages arising from misuse or improper handling of the appliance.

1 Important safety and environmental instructions

- Never attempt to dismantle the appliance. No warranty claims are accepted for damage caused by improper handling.
- Only use the original parts or parts recommended by the manufacturer.
- Do not leave this appliance unattended while it is in use.
- Always use the appliance on a stable, flat, clean dry, and non-slip surface.
- The appliance should not be operated with an external clock timer or separate remote control system.
- Before using the appliance for the first time, clean all parts. Please see the details given in the "Cleaning and Maintenance" section.
- Operate the appliance for its intended purpose only as described in this manual. Do not use abrasive chemicals or steam on this appliance. This oven is particularly intended for heating and cooking the food.
It is not intended for industrial or laboratory use.
- Do not use your appliance to dry clothes or kitchen towels.
- Appliance becomes very hot while it is in use. Pay attention not to touch the hot parts inside the oven.
- Your oven is not designed to dry any living being.
- Do not operate the oven empty.
- Only use utensils that are suitable for use in microwave ovens.
- Cooking utensil may get hot due to the heat transferred from the heated food to the utensil. You may need oven gloves to hold the utensil.
- Utensils shall be checked to ensure that they are suitable for use in microwave ovens.
- Do not place the oven on stoves or other heat generating appliances. Otherwise, it may be damaged and the warranty becomes void.
- Microwave oven must not be placed in a cabinet that is not in compliance with the installation instructions.
- Steam may come out while opening the covers or the foil after cooking the food.
- Use gloves while taking any kind of heated food out.

1

Important safety and environmental instructions

- The appliance and its accessible surfaces may be very hot when the appliance is in use.
- Door and outer glass may be very hot when the appliance is in use.
- Use the appliance with a grounded outlet only.
- Never use the appliance if the power cable or the appliance itself is damaged.

1.1.1 Electrical safety

- If the supply cord is damaged, it must be replaced by the manufacturer or its service agent or a similarly qualified person in order to avoid a hazard.
- Beko Microwave Ovens comply with the applicable safety standards; therefore, in case of any damage on the appliance or power cable, it should be repaired or replaced by the dealer, service center or a specialist and authorized service alike to avoid any danger. Faulty or unqualified repair work may be dangerous and cause risk to the user.
- Make sure that your mains power supply complies with the information supplied on the rating plate of the appliance.
The only way to disconnect the appliance from the power supply is to remove the power plug from the power outlet.
- Do not use this appliance with an extension cord.
- Never touch the appliance or its plug with damp or wet hands.
- Place the appliance in a way so that the plug is always accessible.
- Prevent damage to the power cable by not squeezing, bending, or rubbing it on sharp edges. Keep the power cable away from hot surfaces and naked flame.
- Make sure that there is no danger that the power cable could be accidentally pulled or that someone could trip over it when the appliance is in use.
- Unplug the appliance before each cleaning and when the appliance is not in use.
- Do not pull the power cable of the appliance to disconnect it from its power supply and never wrap its power cable around the appliance.
- Do not immerse the appliance, power cable, or power plug in water or any other liquids. Do not hold it under running water.

1 Important safety and environmental instructions

- When heating food in plastic or paper containers, keep an eye on the oven due to the possibility of ignition.
- Remove the wire strings and/or metal handles of paper or plastic bags before placing bags suitable for use in microwave oven to the oven.
- If smoke is observed, switch off or unplug the appliance and keep the door closed in order to stifle any flames.
- Do not use inside of the oven to store something. Do not leave paper items, cooking material or food inside the oven when it is not being used.
- The contents of feeding bottles and baby food jars shall be stirred or shaken and the temperature shall be checked before consumption, in order to avoid burns.
- This appliance is a Group 2 Class B ISM equipment. Group 2 contains all ISM (Industrial, Scientific and Medical) equipment in which radio-frequency energy is intentionally generated and/or used in the form of electromagnetic radiation for the treatment of material, and spark erosion equipment.
- Class B equipment is suitable for use in domestic establishments and establishments directly connected to a low voltage power supply network.
- Door or outer surface of the appliance may become hot when it is in use.

1.1.2 Product safety

- Heating the beverages with microwave may cause them to boil by splashing around after they have been taken out of the oven; so be careful when you are holding the containers.
- Do not roast anything in the oven. Hot oil may damage the components and materials of the oven, and it may even cause skin burns.
- Pierce food with thick crust such as potatoes, zucchinis, apples and chestnuts.
- Appliance must be placed so that the rear side is facing the wall.
- Before moving the appliance, please secure the turntable to prevent damage to it.

1

Important safety and environmental instructions

- Eggs in their shell and whole hard-boiled eggs must not be heated in microwave ovens since they may explode, even after microwave heating has ended.
- Never remove the parts at the rear and sides of the appliance, which protect the minimum distances between the cabinet walls and the appliance in order to allow for the required air circulation.
- **WARNING:** It is hazardous for anyone other than a competent person to carry out any service or repair operation which involves the removal of a cover which gives protection against exposure to microwave energy.
- **WARNING:** Liquids and other foods must not be heated in sealed containers since they are liable to explode.

1.2 Intended use

- Failure to maintain the oven in a clean condition could lead to deterioration of the surface that could adversely affect the life of the appliance and possibly result in a hazardous situation.
- Cleaning the door seals and adjacent parts: Use hot soapy water. Clean with a dish cloth, do not scour. Do not use a metal or glass scraper for cleaning.
- **WARNING:** If the door or door seals are damaged, the oven must not be operated until it has been repaired by a competent person.
- The oven should be cleaned regularly and any food deposits removed.
- There should be min 20cm free space above the top surface of the oven.
- Do not use the appliance for anything other than its intended use.
- Do not use the appliance as a heat source.
- Microwave oven is intended to thaw, cook and stew food only.
- Do not over-cook foods; otherwise, you may cause a fire.
- Do not use steam assisted cleaners to clean the appliance.

1 Important safety and environmental instructions

1.3 Children's safety

- Extreme caution is advised when being used near children and persons who are restricted in their physical, sensory or mental abilities.
- This appliance can be used by the children who are at the age of 8 or over and by the people who have limited physical, sensory or mental capacity or who do not have knowledge and experience, as long as they are supervised with regard to safe use of the product or they are instructed accordingly or understand the risks of using the product. Children should not play with the appliance. Cleaning and user maintenance procedures should not be performed by children unless they are controlled by their elders.
- Danger of choking! Keep all the packaging materials away from children.
- Only allow children to use the oven without supervision when adequate instructions have been given so that the child is able to use the microwave oven in a safe way and understands the hazards of improper use.
- Due to excessive heat that arises in grill and combination modes, children should only be allowed to use these modes under supervision of an adult.
- Keep the product and its power cable so that they are inaccessible by children under 8 years old.
- The appliance and its accessible surfaces may be very hot when the appliance is in use. Keep children away.
- The appliance is not intended for use by persons (including children) with reduced physical, sensory or mental capabilities, or lack of experience and knowledge, unless they have been given supervised or instruction concerning use of the appliance by a responsible person for their safety.
- Young children should be supervised to ensure that they do not play with the appliance.
- **WARNING:** Only allow children to use the oven without supervision when adequate instructions have been given so that the child is able to use the oven in a safe way and understands the hazards of improper use.

1

Important safety and environmental instructions

1.4 Compliance with the WEEE Directive and disposal of waste products



This product does not include harmful and prohibited materials specified in the "Regulation for Supervision of the Waste Electric and Electronic Appliances" issued by the Ministry of Environment and Urban Planning. Complies with the WEEE Directive. This product has been manufactured with high quality parts and materials which can be reused and are suitable for recycling.

Therefore, do not dispose the product with normal domestic waste at the end of its service life. Take it to a collection point for the recycling of electrical and electronic equipment. Ask the local authority in your area for these collection points. Help protect the environment and natural resources by recycling used products.

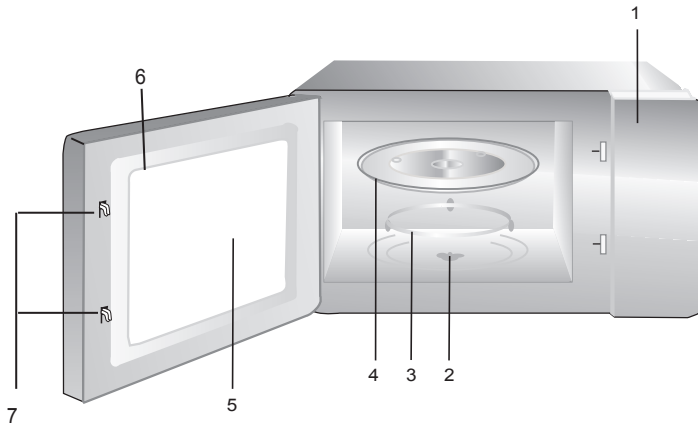
1.5 Package information



Package of the product is made of recyclable materials in accordance with our National Legislation. Do not dispose of the packaging materials together with the domestic or other wastes. Take them to the packaging material collection points designated by the local authorities.

2 Your over the range microwave oven

2.1 Overview



1. Control panel
2. Turntable shaft
3. Turntable ring assembly
4. Glass tray
5. Observation window
6. Door assembly
7. Safety interlock system

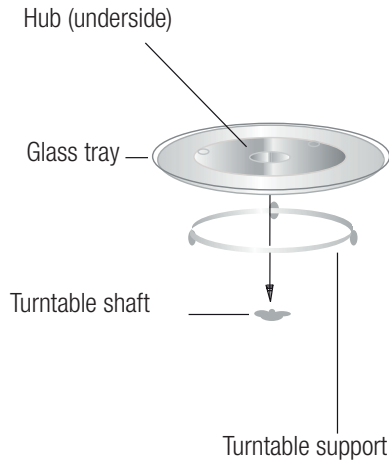
2.2 Technical data

Rated Voltage	120V~ 60Hz
Rated Input Power (Microwave)	1550 W
Rated Output Power (Microwave)	1000 W
Oven Capacity	44 L
Turntable Diameter	Ø 345 mm
External Dimensions	759 X 382 X 417 mm
Net weight	Approx. 25 kg

Markings on the product or the values stated in other documents supplied with the product are values obtained under laboratory conditions as per relevant standards. These values may vary according to the usage of the appliance and ambient conditions. Power values are tested at 230V.

2 Your over the range microwave oven

2.3 Installing the turntable



- Never place the glass tray upside down. The glass tray should never be restricted.
- Both glass tray and turntable support must always be used during cooking.
- All food and containers of food must always place on the glass tray for cooking.
- If glass tray or turntable support crack or break, contact your nearest authorized service center.

3 Installation

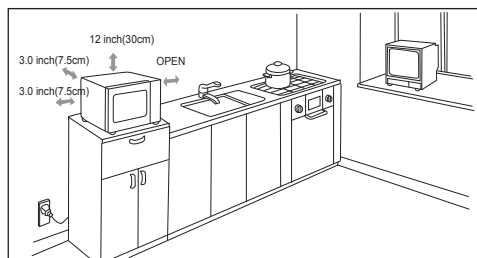
- Remove all packing material and accessories. Examine the oven for any damage such as dents or broken door. Do not install if oven is damaged.
- Remove any protective film found on the microwave oven cabinet surface.



WARNING: Do not install oven over a range cooktop or other heat-producing appliance. If installed could be damaged and the warranty would be void.

3.1 Installation

1. Select a level surface that provide enough open space for the intake and/or outlet vents.



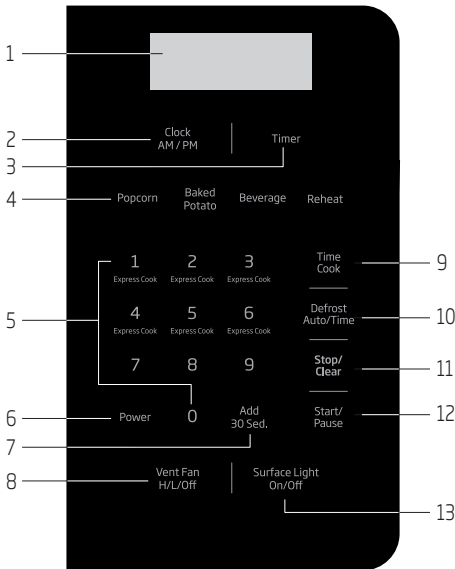
A minimum clearance of 3.0 inch (7.5cm) is required between the oven and any adjacent wall. One side must be open.

Do not remove the light brown Mica cover that is screwed to the oven cavity to protect the magnetron.

- Leave a minimum clearance of 12 inch(30cm) above the oven.
 - Do not remove the legs from the bottom of the oven.
 - Blocking the intake and/or outlet openings can damage the oven.
 - Place the oven as far away from radios and TV as possible. Operation of microwave oven may cause interference to your radio or TV reception.
2. Plug your oven into a standard household outlet. Be sure the voltage and the frequency is the same as the voltage and the frequency on the rating label.

4 Operation

4.1 Control Panel and Features



1. Display Screen
2. Clock AM/PM: to set the current time;
3. Timer
4. Auto Menu
5. Number Keys
6. Power
7. Add 30Sec.
8. Vent Fan H/L/Off
9. Time Cook
10. Defrost Auto/Time
11. **Stop/Clear:** Clears all previous settings pressed before cooking starts. During cooking; press once to stop oven; twice to stop and clear all entries.
12. Start/Pause
13. Surface Light On/Off

4.2 Operation Instructions

4.2.1 Clock Setting

1. Press **"CLOCK/AM/PM"**, the unit enters the clock setting states. AM indicator will light. "0:00" flash to remind you to input the time.
2. Press **"CLOCK/AM/PM"** again to select AM or PM. The responding AM or PM indicator lights.
3. Press the number keys and enter the correct time. For example, time is 10:12 now, please press "1,0,1,2" in turn.
4. Press **"CLOCK/AM/PM"** key finish setting the clock. Note: This is a 12 hour clock from 1:00 to 12:59. If the time set is not appropriate, press **"CLOCK/AM/PM"** will be no used. Buzzer sounds twice and turn back to waiting states.

4.2.2 Microwave Cooking

1. Press **" TIME COOK"** to select microwave cooking. "0:00" flash to remind you to input the cooking time.
2. Press the number keys to adjust the cooking time you need. For example, to cook the time for 10 minutes. Please press "1,0,0,0" in turn. The maximum cooking time is 99 minutes 99 seconds.
3. At the same time, you can choose the power by pressing **"POWER"**.
4. Press the number keys to select the power level.
5. Press **"START/PAUSE"** to start cooking. Time counts down.



If the power level you choose is 100% power, steps "3" and "4" can be skipped and go directly to the step "5".



After cooking finishing, buzzer sounds five times.

4 Operation

Ten power levels are available.

Level	10	9	8	7	6	5	4	3	2	1
Power	100%	90%	80%	70%	60%	50%	40%	30%	20%	10%
Display	PL10	PL9	PL8	PL7	PL6	PL5	PL4	PL3	PL2	PL1

4.2.3 Multi-stage Cooking

At most two stages can be input.

For example: To cook the food with 100% microwave power for 10 minutes and then cook with 80% microwave power for 15 minutes. Do as following:

1. Press **"TIME COOK"** to choose microwave cooking;
2. Press "1","0","0","0" to input the cooking time;
3. Press **"POWER"** to choose 100% microwave power;
4. Press **"TIME COOK"** to choose microwave cooking;
5. Press "1","5","0","0" to input cooking time;
6. Press **"POWER"** to select the microwave power;
7. Press "8" to choose 80% microwave power;
8. Press **"START"** to start cooking.



Microwave cooking can be set as two stages only. Defrost program and auto menu cannot be set here.



When the first stage finish, buzzer sounds once and the second stage begins cooking.



During cooking,each added press on **"ADD 30 SEC."**, 30 seconds can be added too. The time can be up to 99 minutes and 99 seconds.

4.2.4 Speedy Cooking

1. In waiting states,press **" ADD 30 SEC."** to start cooking 100% microwave power for 30 seconds.
2. During cooking states, 30 seconds can be increased for each pressing on **"ADD 30 SEC."**. The maximum cooking time is 99 minutes and 99 seconds.
3. Press number keys from 1 to 6 to start cooking with full microwave power for 1-6 minutes.



During speedy cooking, microwave power can be checked and selected. Press **"POWER"**, the current power displays, then press number keys to choose the power you need

4.2.5 Defrost Cooking

A. Defrost By Weight

1. Press **"DEFROST AUTO/TIME"** once to choose defrost by weight function. Defrost indicator will light and "lb" indicator flash;
2. Press number keys from 0 to 9 to input the defrost weight. For example: the food weight is 1.2 Lbs, then "1","2" will be input. The maximum cooking weight is 6.0 Lbs.If the weight input is more than 6.0 Lbs, the unit will turn back to waiting states.
3. Press **"START/PAUSE"** to start defrosting. "lb" indicator will be off.

B. Defrost By Time

1. Press **"DEFROST AUTO/TIME"** twice to choose defrost by time function. Defrost indicator will light;

4 Operation

2. Press number keys from 0 to 9 to input the defrost time. The maximum time can be input is 99 minutes and 99 seconds.
3. Press **"START/PAUSE"** to start defrosting.



If half the defrost time passes, the buzzer will sound twice to remind you to turn the food over.

4.2.6 Hood Function

1. When the exhaust fan is under off states, press **"VENT FAN/H/L/OFF"** once to choose the fan with high speed;
2. Press **"VENT FAN/H/L/OFF"** twice to choose the fan with low speed;
3. Press **"VENT FAN/H/L/OFF"** three times to choose the fan to be off.
4. Except lock states, the fan can be adjusted anytime.

4.2.7 Oven Lamp

1. Press **"SURFACE LIGHT ON/OFF"** once to turn on the lamp;
2. Press **"SURFACE LIGHT ON/OFF"** twice to turn off the lamp.

4.2.8 Timer Function

1. Press **"TIMER"**, timer indicator will light;
2. Press number keys to input the cooking time you need. The maximum cooking time is 99 minutes and 99 seconds.
3. Press **"TIMER"**, time counts down. When time counting down is over, buzzer sounds to indicates off.



During timer states, hood and oven lamp can be activated. Others function will be no used.

4.2.9 Display On/Off Function

1. In waiting states, press "0" for 3 seconds, buzzer sounds twice. Waiting mode can be turn on or turn off.

1. When the display under the off states, program can be set too. But cooking cannot be done. Press **"STOP/CLEAR"** to cancel the setting and turn back to off states. If the key is not pressed, the setting will be cancelled after 25s automatically and turn back to the off states.
2. Set timer function. It will display normally. After finishing, press **"TIMER"** to turn back off states.
3. To reset the clock. Please refers to the clock setting instructions. It will display normally. After operation finish, the display will be off states.

4.2.10 Popcorn Menu

1. Press **"POPCORN"** repeatedly until the number you wish appears in the display.
"1"SET: approximate 1.75 ounces
"2"SET: approximate 3.0 ounces
"3"SET: approximate 3.5 ounces

For example, press **"POPCORN"** once , "1.75" appears in the LED.

2. Press **"START/PAUSE"** to cook.

4.2.11 Baked Potato Menu

1. Press **"BAKED POTATO"** repeatedly until the number you wish appears in the display.
"1"SET: 1 potato
"2"SET: 2 potatoes
"3"SET: 3 potatoes

For example, press **"BAKED POTATO"** once , "1" appears in the LED.

2. Press **"START/PAUSE"** to cook.

4 Operation

4.2.12 Beverage Menu

1. Press “ **BEVERAGE** ” repeatedly until the number you wish appears in the display.

“1”SET: 1 cup

“2”SET: 2 cups

“3”SET: 3 cups

For example, press “**BEVERAGE**” once , “1” appears in the LED.

2. Press “ **START/PAUSE** ” to cook.

4.2.13 Reheat Menu

1. Press “ **REHEAT** ” repeatedly until the number you wish appears in the display.

“1”SET: approximate 8.0 ounces

“2”SET: approximate 16.0 ounces

“3”SET: approximate 24.0 ounces

For example, press “**REHEAT**” once , “8.0” appears in the LED.

b) Press “ **START/PAUSE** ” to cook.

4.2.14 Inquiring Function

1. Under microwave cooking states, press “**POWER**” to check the power level.

2. During cooking states, press “**CLOCK/AM/PM**” to check the clock.

4.2.15 Lock Function For Children

Lock: In waiting state, press “ **STOP/CLEAR** ” for 3 seconds, there will be two beeps

denoting the entering into the children-lock state;

Lock quitting: In locked state, press “ **STOP/CLEAR** ” for 3 seconds, there will be two beeps denoting that lock is released.

5 Maintenance

5.1 Troubleshooting

Check your problem by using the chart below and try the solutions for each problem. If the microwave oven still does not work properly, contact the nearest authorized service center.

Trouble	Possible cause	Possible remedy
Oven will not start	a. Electrical cord for oven is not plugged in. b. Door is open. c. Wrong operation is set.	a. Plug into the outlet. b. Close the door and try again. c. Check instructions.
Arcing or sparking	a. Materials to be avoided in microwave oven were used. b. The oven is operated when empty. c. Spilled food remains in the cavity.	a. Use microwave-safe cookware only. b. Do not operate with oven empty. c. Clean cavity with wet towel.
Unevenly cooked foods	a. Materials to be avoided in microwave oven were used. b. Food is not defrosted completely. c. Cooking time, power level is not suitable. d. Food is not turned or stirred.	a. Use microwave-safe cookware only. b. Completely defrost food. c. Use correct cooking time, power level. d. Turn or stir food.
Overcooked foods	Cooking time, power level is not suitable.	Use correct cooking time, power level.
Undercooked foods	a. Materials to be avoided in microwave oven were used. b. Food is not defrosted completely. c. Oven ventilation ports are restricted. d. Cooking time, power level is not suitable.	a. Use microwave-safe cookware only. b. Completely defrost food. c. Check to see that oven ventilation ports are not restricted. d. Use correct cooking time, power level.
Improper defrosting	a. Materials to be avoided in microwave oven were used. b. Cooking time, power level is not suitable. c. Food is not turned or stirred.	a. Use microwave-safe cookware only. b. Use correct cooking time, power level. c. Turn or stir food.

WARRANTY STATEMENT FOR THE BEKO OVER THE RANGE CONVECTION MICROWAVE OVEN

The warranties provided by Beko in these statements only apply to Beko Over The Range Microwave Ovens sold to the original purchaser or homeowner in the US and Canada. The warranty is not transferable. To obtain warranty service, please contact our nearest distributor as listed by state and province. You will need your Over The Range Microwave Ovens model number, serial number, retailer name and address, where purchased and purchase date / installation date. This warranty gives you specific legal rights, and you may also have other rights which vary from state to state. Also, please make sure you register your product for warranty at www.beko.us

1 year (*) full warranty from date of first installation

Beko will repair or replace at no cost to the consumer any defective parts of the Over The Range Microwave Ovens if used under normal household conditions (warranty is void if the product is used commercially e.g., bed + breakfast, nursing home etc.). Service must also be performed by an authorized Beko service agency. (Cosmetic defects must be reported within 10 business days from installation). 1 year warranty on the accessories is for the parts only and does not include labor.

2 year*++ limited warranty from date of first installation (Parts only) Beko will repair or replace any parts at no cost to the consumer if material defects or workmanship have caused the damage or failure of these components. Again the electric and gas ranges must have been used under normal household conditions and not commercially as stated above (Labor charges are the responsibility of the consumer).

Disclaimers of warranties and exclusions:

Warranty does not cover service costs by an authorized service agent to correct installation, electrical problems or educational instruction on the use of the Over The Range Microwave Ovens. The warranty also does not cover defects or damage caused by an act of God (such as storms, floods, fires, mudslides, etc.), damage cause by use of the Over The Range Microwave Ovens for purposes other than those for which it was designed, misuse, abuse, accident, alteration, improper installation, maintenance, travel fees, service calls outside normal service hours, pick up and delivery, any food loss due to product failure, unauthorized service work or work.

This product is fully tested and went through official quality assurance inspections before leaving the original manufacturing site. Warranty terms for this Beko household appliance is not valid if the product is altered, tampered, modified, additional parts assembled, fixed and re-packed by an authorized distributor, servicer, a third party retailer, reseller or by any other unauthorized person(s).

TO THE EXTENT PERMITTED BY LAW, THIS WARRANTY IS IN LIEU OF ALL OTHER EXPRESSED AND IMPLIED WARRANTIES, INCLUDING THE IMPLIED WARRANTIES OF MERCHANTABILITY AND FITNESS FOR A PARTICULAR PURPOSE. BEKO UNDERTAKES NO RESPONSIBILITY FOR THE QUALITY OF THIS PRODUCT EXCEPT AS OTHERWISE PROVIDED IN THIS WARRANTY STATEMENT. BEKO ASSUMES NO RESPONSIBILITY THAT THE PRODUCT WILL BE FIT FOR ANY PARTICULAR PURPOSE FOR WHICH YOU MAY BE BUYING THIS PRODUCT, EXCEPT AS OTHERWISE PROVIDED IN THIS WARRANTY STATEMENT.

Beko does not assume any responsibility for incidental or consequential damages. Such damages include, but are not limited to, loss of profits, loss of savings or revenue, loss of use of the electric and gas ranges or any associated equipment, cost of capital, cost of any substitute equipment, facilities or services, downtime, the claims of third parties, and injury to property. Some states do not allow the exclusion or limitation of incidental or consequential damages, so the above limitations or exclusion may not apply to you.

(*) Installation date shall refer to either purchase date or 5 business days after delivery of the product to the home, whichever is later.

(**) Parts replaced will assume the identity of the original parts + their original warranty.

No Other Warranties. This Warranty Statement is the complete and exclusive warranty from the manufacturer. No employee of Beko or any other party is authorized to make any warranty statements in addition to those made in this Warranty Statement.

Please keep this warranty card, user manual and your sales slip for future reference.

HOW TO GET SERVICE

Please contact you authorized Beko dealer or visit www.beko.us to locate and get information for the closest authorized Beko service center.

Avant d'utiliser l'appareil, veuillez lire ce manuel !


Chère cliente, cher client,

Merci d'avoir choisi les produits Beko. Nous espérons que ce produit, fabriqué dans des installations modernes et soumis à un processus de contrôle qualité rigoureux, vous offre les meilleures performances possibles. C'est pourquoi nous vous recommandons, avant d'utiliser ce produit, de lire attentivement ce manuel et tous les autres documents fournis et de les conserver soigneusement pour toute consultation future. Si vous confiez le produit à quelqu'un d'autre, n'oubliez pas de lui remettre également le manuel d'utilisation. Veuillez à bien respecter les consignes et les instructions figurant dans le manuel d'utilisation.

Signification des symboles

Les symboles suivants sont utilisés tout au long de ce manuel :

	Informations importantes et conseils utiles sur l'utilisation de l'appareil.
--	--

	Avertissement sur les situations dangereuses concernant la sécurité des biens et des personnes.
--	---

	Avertissement en cas de contact avec une surface brûlante.
--	--



Ce produit a été fabriqué dans une usine moderne respectueuse de l'environnement.

1 Instructions importantes en matière de sécurité et d'environnement 22

1.1 Consignes générales de sécurité.....	22
1.2 Sécurité électrique.....	24
1.3 Sécurité du produit.....	25
1.4 Utilisation prévue.....	26
1.5 Conformité avec la directive DEEE et mise au rebut des produits usagés.....	27
1.6 Information sur l'emballage.....	27

2 Votre four à micro-ondes 28

2.1 Vue d'ensemble.....	28
2.2 Données techniques.....	28
2.3 Installation du plateau tournant.....	29

3 Installation 30

3.1 Installation.....	30
4.1 Panneau de commande et fonctionnalités.....	31
4.2 Instructions de fonctionnement.....	31
4.2.1 Réglage de l'horloge.....	31
4.2.2 Cuisson au four à micro-ondes.....	31
4.2.3 Cuisson à étapes multiples.....	32
4.2.4 Cuisson rapide.....	33
4.2.5 Dégivrage.....	33
4.2.6 Fonction Hotte aspirante.....	33
4.2.7 Lampe du four.....	34
4.2.8 Fonction de minuterie.....	34
4.2.9 Fonction Affichage Marche/Arrêt.....	34
4.2.10 Menu Popcorn.....	34
4.2.11 Menu Pommes de terre au four.....	34
4.2.12 Menu Boisson.....	35
4.2.13 Menu Réchauffage.....	35
4.2.14 Fonction d'interrogation.....	35
4.2.15 Sécurité enfants.....	35

5 Entretien 36

5.1 Dépannage.....	36
--------------------	----

6 Garantie et service 37

Cette section contient les consignes de sécurité qui aident à se prémunir contre les risques d'incendie, d'électrocution, d'exposition aux fuites d'énergie à micro-ondes, de dommages corporels ou de dégâts matériels. Le non-respect de ces consignes annule la garantie.

1.1 Consignes générales de sécurité

- N'essayez pas de mettre le four en marche lorsque la porte est ouverte ; vous seriez exposés à l'énergie des micro-ondes. Évitez de modifier ou de tripatouiller le verrouillage de sécurité.
- Ne jouez avec aucun des objets entre la face avant et la porte du four. Ne permettez pas l'accumulation de la poussière ou des résidus d'agent nettoyant sur les surfaces de fermeture.
- Toutes les opérations de maintenance impliquant le retrait du couvercle de protection contre l'exposition à l'énergie des micro-ondes doivent être réalisés par des personnes/ou des services après-vente agréés.
- Votre appareil est conçu pour la cuisson, le chauffage et la décongélation des aliments à domicile. Il ne doit pas être utilisé à des fins commerciales. Le fabricant ne saurait être tenu responsable des dommages découlant d'une utilisation inappropriée.
- N'utilisez pas l'appareil à l'extérieur, dans une salle de bain, dans des environnements humides ou dans des endroits où il peut être mouillé.
- Tout dommage résultant d'une utilisation inappropriée de l'appareil annule la responsabilité du fabricant ou toute réclamation au titre de la garantie.
- N'essayez jamais de démonter l'appareil. Aucune réclamation au titre de la garantie ne sera acceptée pour les dégâts résultant d'une manipulation incorrecte.
- Utilisez uniquement des pièces d'origine ou pièces recommandées par le fabricant.
- Ne laissez pas l'appareil sans surveillance lorsque vous l'utilisez.
- Utilisez toujours l'appareil sur une surface stable, plate, propre, sèche et non glissante.

- Cet appareil ne doit pas être utilisé avec une minuterie extérieure ou un système de télécommande séparé.
- Avant d'utiliser l'appareil pour la première fois, nettoyez-en toutes les pièces. Reportez-vous aux renseignements fournis dans la rubrique « Nettoyage et entretien ».
- Utilisez l'appareil uniquement aux fins pour lesquelles il a été conçu, conformément aux instructions du présent manuel. N'utilisez pas de produits chimiques abrasifs ou de la vapeur sur l'appareil. Ce four a été particulièrement conçu pour chauffer et cuire les aliments. Il n'est pas destiné à un usage industriel ou en laboratoire.
- N'utilisez pas l'appareil pour sécher les vêtements ou les torchons.
- L'appareil devient très chaud lorsqu'il est utilisé. Évitez de toucher les pièces chaudes à l'intérieur du four.
- Votre four n'est pas destiné au séchage d'un quelconque être vivant.
- Ne mettez pas l'appareil en marche lorsqu'il est vide.
- Les récipients de cuisson peuvent devenir très chauds en raison du transfert de chaleur des aliments chauffés au récipient. Vous aurez besoin de gant de cuisine pour tenir les récipients.
- Vérifiez que les récipients sont appropriés pour une utilisation dans des fours à micro-ondes.
- Ne placez pas le four au-dessus des cuisinières ou de tout autre appareil produisant de la chaleur. Sinon, il pourrait être endommagé et la garantie annulée.
- Ne placez pas le four à micro-ondes dans une armoire non conforme aux instructions d'installation.
- De la vapeur pourrait s'échapper lorsque vous ouvrez les couvercles ou le papier après la cuisson des aliments.
- Portez des gants de cuisine lorsque vous devez sortir des mets chauds du four.
- L'appareil et ses surfaces accessibles peuvent devenir très chauds lorsque l'appareil est en cours d'utilisation.
- La porte et la vitre externe peuvent devenir très chaudes lorsque l'appareil est en cours d'utilisation.

1.2 Sécurité électrique

- Les fours à micro-ondes Beko sont conformes aux normes de sécurité applicables. Par conséquent, en cas de dommage sur l'appareil ou son câble d'alimentation, faites-le réparer ou remplacer par le revendeur, le centre de services, un spécialiste ou des services habilités afin de prévenir tout danger. Des réparations défectueuses et non professionnelles peuvent être sources de danger et de risque pour l'utilisateur.
- Assurez-vous que votre source d'alimentation électrique est conforme aux informations spécifiées sur la plaque signalétique de votre appareil.
Le seul moyen de déconnecter l'appareil de l'alimentation électrique consiste à le débrancher de la prise électrique.
- Utilisez l'appareil uniquement avec une prise de terre.
- N'utilisez jamais l'appareil si le câble d'alimentation ou l'appareil lui-même est endommagé.
- N'utilisez pas de cordon prolongateur avec l'appareil.
- Ne touchez jamais l'appareil ou sa prise avec les mains humides ou mouillées.
- Placez l'appareil de manière à ce que la prise soit toujours accessible.
- Pour éviter d'endommager le câble d'alimentation, évitez de l'aplatir, de le plier ou même de le frotter contre des bords coupants. Éloignez le câble d'alimentation de toute surface brûlante et des flammes.
- Assurez-vous qu'il n'y ait aucun risque de traction accidentelle sur le câble d'alimentation et que personne ne risque de trébucher sur le câble, lorsque l'appareil est en marche.
- Débranchez l'appareil avant chaque nettoyage et lorsque l'appareil n'est pas en cours d'utilisation.
- Ne tirez pas sur le câble d'alimentation de l'appareil pour le débrancher de l'alimentation et n'enroulez jamais le câble d'alimentation tout autour de l'appareil.
- N'immergez pas l'appareil, le câble d'alimentation ou la prise d'alimentation électrique dans de l'eau ou tout autre liquide.

Ne maintenez pas l'appareil sous l'eau courante.

- Lorsque vous chauffez les aliments dans des récipients en plastique ou en papier, vérifiez en permanence le four en raison de la possibilité d'inflammation.
- Retirez les fils et poignées métalliques des sacs en papier ou en plastique avant de placer les sacs appropriés pour une utilisation du four à micro-ondes vers le four.
- Mettez l'appareil hors tension ou débranchez-le et gardez la porte fermée pour éviter toute inflammation si vous observez de la fumée.
- Ne conservez rien à l'intérieur du four. Ne laissez pas les papiers, le matériel de cuisine ou les aliments à l'intérieur du four lorsqu'il n'est pas utilisé.
- Remuez et agitez le contenu des biberons et des pots de nourriture pour bébés et vérifiez la température avant la consommation pour éviter des brûlures.

- Cet appareil est un équipement ISM Groupe 2 de Classe B. Le Groupe 2 comprend tous les équipements ISM (Industriel, Scientifique et Médical) dans lesquels l'énergie à radio-fréquences est intentionnellement générée et/ou utilisée sous forme de radiation électromagnétique pour le traitement des matériaux et les équipements d'électroérosion.
- Les équipements de Classe B conviennent aux installations domestiques et aux installations directement raccordées au réseau d'alimentation électrique à basse tension.
- La porte ou la surface externe de l'appareil peuvent devenir très chaudes lorsque l'appareil est utilisé.

1.3 Sécurité du produit

- Évitez de chauffer les liquides et autres aliments dans des récipients fermés, car cela présente des risques d'explosion.
- Le chauffage des boissons au micro-ondes peut entraîner des éclaboussures lorsqu'elles sont sorties du four ; soyez donc prudent lorsque vous tenez les récipients.

- Ne faites pas de rôtisserie dans le four. De l'huile chaude pourrait endommager les composants et matériaux du four, et même entraîner des brûlures de la peau.
- Percez les aliments à croûte épaisse tels que les pommes de terre, les courgettes, les pommes et les châtaignes.
- Placez l'appareil de sorte que le côté arrière soit face au mur.
- Si la porte ou les joints de porte sont endommagés, n'utilisez pas le four jusqu'à ce qu'il ait été réparé par un technicien spécialisé.
- Avant de déplacer l'appareil, sécurisez le plateau tournant pour ne pas l'endommager.
- N'utilisez pas le four à micro-ondes pour la préparation ou le chauffage des œufs non brouillés, avec ou sans coquille.
- Ne retirez jamais les pièces à l'arrière et sur les côtés de l'appareil, qui garantissent les distances minimales entre les parois de l'armoire et l'appareil, de sorte à permettre la circulation appropriée de l'air.

1.4 Utilisation prévue

- N'utilisez pas l'appareil pour un autre usage que celui pour lequel il a été prévu.
- N'utilisez pas l'appareil comme source de chaleur.
- Le four à micro-ondes est destiné uniquement à la décongélation, à la cuisson et à la préparation des aliments.
- Évitez la cuisson excessive des aliments ; cela peut entraîner un incendie.
- N'utilisez pas de nettoyeurs à vapeur pour le nettoyage de l'appareil.
- Cet appareil peut être utilisé par les enfants âgés de 8 ans ou plus et par les personnes à capacités physiques, sensorielles ou mentales réduites ou qui n'ont pas les connaissances et l'expérience, tant qu'ils sont surveillés dans l'utilisation sécuritaire du produit ou s'ils sont instruits en conséquence ou comprennent les risques de l'utilisation du produit. Les enfants ne doivent pas jouer avec l'appareil. Les procédures de nettoyage et d'entretien par l'utilisateur ne doivent pas être exécutées par les enfants à moins qu'ils soient surveillés par les adultes.

- Danger d'étranglement ! Ne laissez pas les éléments d'emballage à proximité des enfants.
- Ne permettez aux enfants d'utiliser l'appareil sans supervision sauf s'ils ont reçu des instructions appropriées leur permettant d'utiliser le four à micro-ondes de manière sécurisée et de comprendre les risques liés à une utilisation inappropriée.
- En raison des excès de chaleur en mode grill et mixte, les enfants ne doivent être autorisés à utiliser ces modes que s'ils sont supervisés par un adulte.
- Gardez l'appareil et son cordon d'alimentation de sorte qu'ils soient inaccessibles aux enfants âgés de moins de 8 ans.
- L'appareil et ses surfaces accessibles peuvent devenir très chauds lorsque l'appareil est en cours d'utilisation. Tenez-les hors de la portée des enfants.

1.5 Conformité avec la directive DEEE et mise au rebut des produits usagés

Ce produit ne contient pas de substances dangereuses et prohibées, telles que décrites dans la « Directive réglementant les déchets d'équipements électriques et électroniques » émanant du Ministère de l'Environnement et de l'Aménagement urbain. Conforme à la Directive DEEE. Cet appareil a été fabriqué avec des pièces et du matériel de qualité supérieure, susceptibles d'être réutilisés aux fins de recyclage.

Par conséquent, à la fin de sa durée de vie, il ne doit pas être mis au rebut aux côtés de déchets domestiques ordinaires. Au contraire, il doit être éliminé dans un point de collecte réservé au recyclage d'appareils électriques et électroniques. Consultez les autorités locales de votre région pour connaître les points de recyclage. Participez à la protection de l'environnement et des ressources naturelles grâce au recyclage des produits usagés.

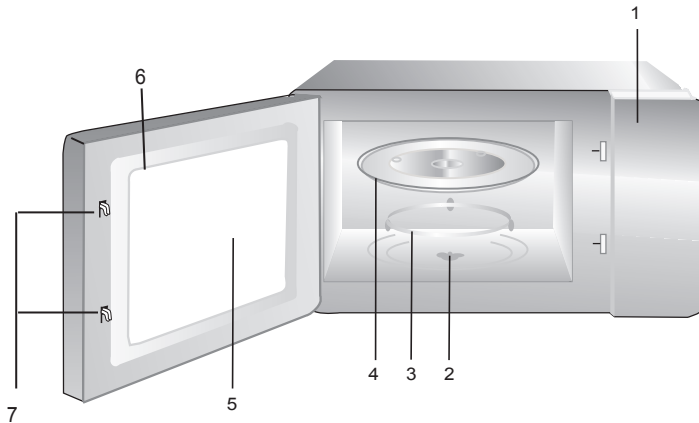
1.6 Information sur l'emballage



L'emballage du produit est composé de matériaux recyclables, conformément à notre réglementation nationale. Ne jetez pas les éléments d'emballage avec les déchets domestiques et autres déchets. Déposez-les dans un des points de collecte d'éléments d'emballage que vous indiquera l'autorité locale dont vous dépendez.

2 Votre four à micro-ondes

2.1 Vue d'ensemble



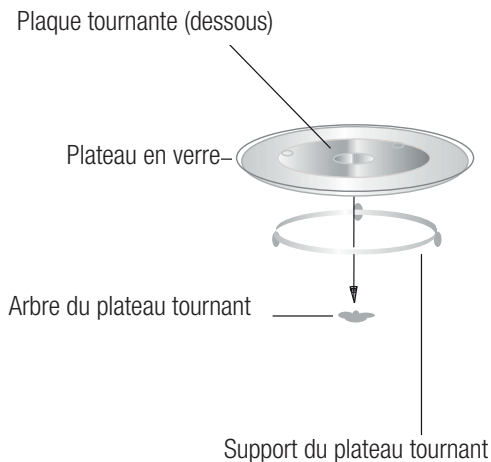
1. Panneau de commande
2. Arbre du plateau tournant
3. Support du plateau tournant
4. Plateau en verre
5. Fenêtre du four
6. Groupe de porte
7. Dispositif de verrouillage de sécurité de la porte

2.2 Données techniques

Tension nominale	120V~ 60Hz
Puissance d'entrée nominale (Micro-ondes)	1550 W
Puissance nominale de sortie (Micro-ondes)	1000 W
Diamètre du plateau tournant	Ø 345 mm
Dimensions externes	759 X 382 X 417 mm
Capacité du four	44 L
Poids net	Environ 25 kg

Les inscriptions sur le produit ou les valeurs indiquées sur la documentation fournie avec le produit sont des valeurs obtenues dans des conditions de laboratoire conformément aux normes en vigueur. Ces valeurs peuvent varier selon l'utilisation de l'appareil et les conditions ambiantes. Les valeurs d'alimentation électrique sont testées à 230 V.

2.3 Installation du plateau tournant



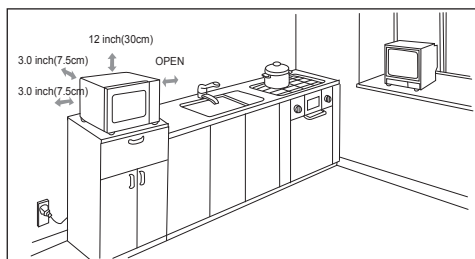
- Ne placez jamais le plateau en verre à l'envers. Il ne doit en aucun cas être bloqué.
- Utilisez toujours le plateau en verre et le support du plateau tournant pendant la cuisson.
- Placez toujours tous les aliments et les récipients sur le plateau en verre pour la cuisson.
- En cas de fissure ou de cassure du plateau en verre ou du support du plateau tournant, contactez le centre de service agréé le plus proche.

3 Installation

- Retirez tous les matériaux d'emballage et les accessoires. Examinez tout signe de dommages tels que des creux ou des signes de porte cassée. N'installez pas le four s'il est endommagé.
- Retirez le film de protection sur la surface de la carrosserie du four à micro-ondes.

3.1 Installation

1. Installez l'appareil sur une surface plane et dans un endroit offrant assez d'espace pour l'admission et/ou l'évacuation d'air.



Laissez un espace minimum de 3,0 pouces (7,5 cm) entre le four et les murs adjacents. Laissez un côté ouvert.

Ne retirez pas le couvercle de mica marron clair fixé à la cavité du four pour protéger le magnétron.

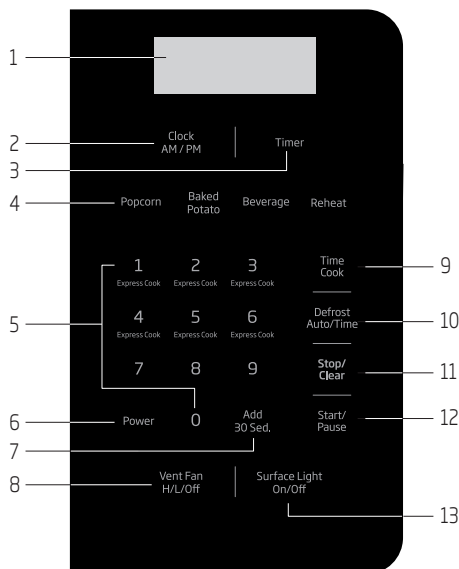
- Laissez un espace minimum de 12 pouces (30 cm) au-dessus du four.
 - Ne retirez pas les pieds qui se trouvent en dessous du four.
 - Évitez d'obstruer les ouvertures d'entrée et de sortie, au risque d'endommager le four.
 - Installez le micro-ondes le plus loin possible de la radio et de la télévision. Le fonctionnement du four à micro-ondes peut créer des interférences avec votre radio ou votre télévision.
2. Branchez le four à une prise normale de sortie de votre maison. Assurez-vous que la tension et la fréquence correspondent aux valeurs indiquées sur la plaque signalétique.



AVERTISSEMENT : Ne placez pas le four au-dessus d'une cuisinière, d'une surface de cuisson ou de tout autre appareil dégageant de la chaleur. Si vous le faites, il peut subir des dommages et la garantie sera nulle.

4 Fonctionnement

4.1 Panneau de commande et fonctionnalités



1. Écran d'affichage
2. Horloge : pour régler le temps de cuisson.
3. Minuterie
4. Menu automatique
5. Touches numériques
6. Puissance
7. Add 30Sec. (Ajouter 30 sec.)
8. Vent Fan/H/L/Off (ventilateur d'aération/h/l/arrêt)
9. Time Cook (Temps de cuisson)
10. Defrost Auto/Time (Dégivrage automatique / durée)
11. **Arrêter/Annuler** : Annulez tous les réglages précédents avant de démarrer la cuisson. Pendant la cuisson : appuyez une fois pour arrêter le four ; deux fois pour l'arrêter et supprimer toutes les entrées.
12. Démarrer/Pause
13. Surface d'éclairage Marche / Arrêt

4.2 Instructions de fonctionnement

4.2.1 Réglage de l'horloge

1. Appuyez sur **"CLOCK/AM/PM" (HORLOGE AM/PM)** pour que l'appareil entre en mode réglage de l'horloge. Le voyant AM s'allume. "0 : 00" clignote pour vous rappeler de saisir l'heure.
2. Appuyez à nouveau sur **"CLOCK/AM/PM" (HORLOGE AM/PM)** pour sélectionner AM ou PM. Le voyant correspondant s'allume.
3. Appuyez sur les touches numériques pour saisir l'heure exacte. Par exemple, s'il est 10 h 12, appuyez séquentiellement sur les touches "1, 0, 1 et 2".
4. Appuyez sur **"CLOCK/AM/PM" (HORLOGE AM/PM)** pour terminer le réglage de l'horloge. Remarque : Il s'agit d'une horloge de 12 heures, allant de 1 h 00 à 12 h 59. Si l'heure inscrite n'est pas correcte, la touche **"CLOCK/AM/PM" (HORLOGE AM/PM)** ne fonctionne pas. La sonnerie émet deux bips et le four retourne en mode veille.

4.2.2 Cuisson au four à micro-ondes

1. Appuyez sur **"TIME COOK" (TEMPS DE CUISSON)** pour sélectionner la cuisson par micro-ondes. "0 : 00" clignote pour vous rappeler de saisir le temps de cuisson.
2. Appuyez sur les touches numériques pour entrer le temps de cuisson souhaité. Par exemple, pour régler le temps de cuisson à 10 minutes. Appuyez séquentiellement sur "1, 0, 0, et 0" Le temps de cuisson maximum est de 99 minutes et 99 secondes.
3. En même temps, vous pouvez sélectionner la puissance de cuisson en appuyant sur la touche **"POWER" (PUISSANCE)**.
4. Appuyez sur les touches numériques pour sélectionner le niveau de puissance.

4 Fonctionnement

5. Appuyez sur **“START/PAUSE” (DÉMARRER/PAUSE)** pour démarrer la cuisson. Le compte à rebours commence.



Si le niveau de puissance sélectionné est 100 %, vous pouvez ignorer les étapes “3” et “4” et passer directement à l'étape “5”.



Une fois la cuisson terminée, l'alarme sonore retentit cinq fois.

Dix niveaux de puissance sont disponibles.

Niveau	10	9	8	7	6	5	4	3	2	1
Puissance	100 %	90 %	80 %	70 %	60 %	50 %	40 %	30 %	20 %	10 %
Écran	PL10	PL9	PL8	PL7	PL6	PL5	PL4	PL3	PL2	PL1

4.2.3 Cuisson à étapes multiples

Deux étapes au plus peuvent être saisies.

Par exemple : Pour faire cuire les aliments au micro-ondes à la puissance 100 % pendant 10 minutes, puis à la puissance 80 % pendant 15 minutes. Procédez comme suit :

1. Appuyez sur **“TIME COOK” (TEMPS DE CUISSON)** pour sélectionner la cuisson par micro-ondes ;
2. Appuyez sur “1”, “0”, “0” et “0” pour saisir le temps de cuisson ;
3. Appuyez sur **“POWER” (PUISSANCE)** pour sélectionner 100 % de puissance du micro-ondes ;
4. Appuyez sur **“TIME COOK” (TEMPS DE CUISSON)** pour sélectionner la cuisson par micro-ondes ;
5. Appuyez sur “1”, “5”, “0” et “0” pour saisir le temps de cuisson ;
6. Appuyez sur **“POWER” (PUISSANCE)** pour sélectionner la puissance du micro-ondes ;
7. Appuyez sur “8” pour sélectionner 80 % de puissance du four à micro-ondes ;

8. Appuyez sur **“START” (DÉMARRER)** pour démarrer la cuisson.



La cuisson aux micro-ondes peut être réglée à deux niveaux uniquement. Le programme de dégivrage et le menu Automatique ne peuvent être réglés ici.



Une fois le premier niveau terminé, l'alarme sonore retentit une fois et cela active le second niveau pour la cuisson.



Pendant la cuisson, chaque fois que vous appuyez sur **“ADD 30 SEC.” (AJOUTER 30 SEC.)**, 30 secondes s'ajoutent au temps de cuisson. Le temps maximum est de 99 minutes et 99 secondes.

4 Fonctionnement

4.2.4 Cuisson rapide

1. En état d'attente, appuyez sur **"ADD 30 SEC." (AJOUTER 30 SEC.)** pour démarrer la cuisson au micro-ondes à 100 % de puissance pendant 30 secondes.
2. Pendant la cuisson, vous pouvez ajouter 30 secondes de plus au temps de cuisson en appuyant sur **"ADD 30 SEC." (AJOUTER 30 SEC.)**. Le temps de cuisson maximum est de 99 minutes et 99 secondes.
3. Appuyez sur les touches numériques de 1 à 6 pour démarrer une cuisson au micro-ondes à puissance maximale pendant 1 à 6 minutes.



Pendant la cuisson rapide, vous pouvez vérifier et sélectionner la puissance micro-ondes. Appuyez sur **"POWER" (PUISSANCE)**, la puissance actuelle s'affiche, puis appuyez sur les touches numériques pour sélectionner la puissance souhaitée.

4.2.5 Dégivrage

A. Dégivrage par le poids

1. Appuyez sur **"DEFROST AUTO/TIME" (DÉGIVRAGE AUTOMATIQUE / DURÉE)** une fois pour sélectionner la fonction de dégivrage par le poids. Le voyant de dégivrage s'allume et le voyant "lb" clignote ;
2. Appuyez sur les touches numériques de 0 à 9 pour entrer le poids de dégivrage. Par exemple : si les aliments pèsent 1,2 lb, saisissez "1" et "2". Le poids de cuisson maximum est de 6 lb. Si le poids saisi est supérieur à 6 lb, l'appareil retourne en mode Veille.
3. Appuyez sur **"START/PAUSE" (DÉMARRER/PAUSE)** pour entamer le dégivrage. Le voyant "lb" s'éteint.

B. Dégivrage sur le temps

1. Appuyez sur **"DEFROST AUTO/TIME" (DÉGIVRAGE AUTOMATIQUE / DURÉE)** deux fois pour sélectionner la fonction de dégivrage sur le temps. Le voyant de dégivrage s'allume ;
2. Appuyez sur les touches numériques de 0 à 9 pour saisir le temps de dégivrage. Le temps maximum à saisir est de 99 minutes et 99 secondes.
3. Appuyez sur **"START/PAUSE" (DÉMARRER/PAUSE)** pour entamer le dégivrage.



Lorsque la moitié du temps de dégivrage s'est écoulée, l'alarme sonore retentit deux fois pour vous rappeler de remuer les aliments.

4.2.6 Fonction Hotte aspirante

1. Lorsque le ventilateur d'évacuation est à l'arrêt, appuyez sur **"VENT FAN/H/L/OFF" (VENTILATEUR D'AÉRATION/H/L/ARRÊT)** afin de sélectionner le ventilateur à grande vitesse ;
2. Appuyez sur **"VENT FAN/H/L/OFF" (VENTILATEUR D'AÉRATION/H/L/ARRÊT)** deux fois pour sélectionner le ventilateur à faible vitesse ;
3. Appuyez sur **"VENT FAN/H/L/OFF" (VENTILATEUR D'AÉRATION/H/L/ARRÊT)** trois fois pour mettre le ventilateur à l'arrêt.
4. Excepté en mode Verrouillage, vous pouvez régler le ventilateur à tout moment.

4 Fonctionnement

4.2.7 Lampe du four

1. Appuyez sur **"SURFACE LIGHT ON/OFF"** (**SURFACE D'ÉCLAIRAGE MARCHÉ/ARRÊT**) une fois pour allumer la lampe ;
2. Appuyez sur **"SURFACE LIGHT ON/OFF"** (**SURFACE D'ÉCLAIRAGE MARCHÉ/ARRÊT**) une fois pour éteindre la lampe.

4.2.8 Fonction de minuterie

1. Appuyez sur **"MINUTERIE"**, le voyant de minuterie s'allume ;
2. Appuyez sur les touches numériques pour saisir le temps de cuisson souhaité. Le temps de cuisson maximum est de 99 minutes et 99 secondes.
3. Appuyez sur **"MINUTERIE"**, pour activer le compte à rebours. Une fois le compte à rebours terminé, l'alarme sonore s'arrête.



Pendant le mode de minuterie, il est possible d'activer la hotte aspirante et la lampe de four. Cependant, les autres fonctions ne sont pas accessibles.

4.2.9 Fonction Affichage Marche/Arrêt

1. En mode Veille, appuyez sur "0" pendant 3 secondes, l'alarme sonore retentit deux fois. Il est possible d'activer/de désactiver le mode Veille.
2. Vous pouvez également régler un programme lorsque l'affichage est éteint. Cependant, il sera impossible de régler le temps de cuisson. Appuyez sur **"STOP/CLEAR"** (**ARRÊTER/ANNULER**) pour annuler le réglage et retourner en mode Arrêt. Si vous n'appuyez pas sur la touche correspondante, le réglage s'annule automatiquement au bout de 25 secondes et l'appareil retourne en mode Arrêt.

3. Réglez la fonction de minuterie. Elle s'affiche normalement. Une fois terminé, appuyez sur **"MINUTERIE"** pour retourner en mode Arrêt.
4. Pour réinitialiser l'horloge. Reportez-vous aux instructions relatives aux réglages de l'horloge. Elle s'affiche normalement. Une fois cette opération terminée, l'affichage s'éteint.

4.2.10 Menu Popcorn

1. Appuyez sur **"POPCORN"** (**MAÏS SOUFFLÉ**) à plusieurs reprises jusqu'à ce que le nombre que vous souhaitez s'affiche à l'écran.
RÉGLAGE "1" : environ 1,75 once
RÉGLAGE "2" : environ 3,0 onces
RÉGLAGE "3" : environ 3,5 onces
Par exemple, si vous appuyez sur **"POPCORN"** (**MAÏS SOUFFLÉ**) une fois, "1,75" s'affiche à l'écran à LED.

2. Appuyez sur **"START/PAUSE"** (**DÉMARRER/PAUSE**) pour démarrer la cuisson.

4.2.11 Menu Pommes de terre au four

1. Appuyez sur **"BAKED POTATO"** (**POMMES DE TERRE AU FOUR**) à plusieurs reprises jusqu'à ce que le nombre que vous souhaitez s'affiche à l'écran.
RÉGLAGE "1" : 1 pomme de terre
RÉGLAGE "2" : 2 pommes de terre
RÉGLAGE "3" : 3 pommes de terre
Par exemple, si vous appuyez sur **"BAKED POTATO"** (**POMMES DE TERRE AU FOUR**) une fois, "1" s'affiche à l'écran à LED.
2. Appuyez sur **"START/PAUSE"** (**DÉMARRER/PAUSE**) pour démarrer la cuisson.

4 Fonctionnement

4.2.12 Menu Boisson

1. Appuyez sur **“BEVERAGE” (BOISSON)** à plusieurs reprises jusqu'à ce que le nombre que vous souhaitez s'affiche à l'écran.

RÉGLAGE "1" : 1 tasse

RÉGLAGE "2" : 2 tasses

RÉGLAGE "3" : 3 tasses

Par exemple, si vous appuyez sur **“BEVERAGE” (BOISSON)** une fois, "1" s'affiche à l'écran à LED.

2. Appuyez sur **“START/PAUSE” (DÉMARRER/PAUSE)** pour démarrer la cuisson.

4.2.13 Menu Réchauffage

1. Appuyez sur **“REHEAT” (RÉCHAUFFAGE)** à plusieurs reprises jusqu'à ce que le nombre que vous souhaitez s'affiche à l'écran.

RÉGLAGE "1" : environ 8,0 onces

RÉGLAGE "2" : environ 16,0 onces

RÉGLAGE "3" : environ 24,0 onces

Par exemple, si vous appuyez sur **“REHEAT” (RÉCHAUFFAGE)** une fois, "8,0" s'affiche à l'écran à LED.

b) Appuyez sur **“START/PAUSE” (DÉMARRER/PAUSE)** pour démarrer la cuisson.

4.2.14 Fonction d'interrogation

1. En mode Cuisson par micro-ondes, appuyez sur **“POWER” (PUISSANCE)** pour vérifier le niveau de puissance.

2. Pendant la cuisson, appuyez sur **“CLOCK/AM/PM” (HORLOGE/AM/PM)** pour vérifier l'horloge.

4.2.15 Sécurité enfants

Verrouillage : Appuyez sur la touche **“STOP/CLEAR” (ARRÊTER/ANNULER)** pendant 3 secondes pour que l'alarme sonore émette deux bips

indiquant le passage en mode Sécurité enfants ;

Déverrouillage : En mode Veille, appuyez sur **“STOP/CLEAR” (ARRÊTER/ANNULER)** pendant 3 secondes, l'alarme sonore émet deux bips indiquant le déverrouillage de l'appareil.

5.1 Dépannage

Repérez le problème de votre appareil à partir du tableau ci-dessous et essayez d'appliquer les solutions pourvues pour chaque problème. Si le four à micro-ondes ne fonctionne toujours pas correctement, contactez le centre de service agréé le plus proche.

Panne	Source éventuelle	Recours possible
Le four ne démarre pas	<ul style="list-style-type: none"> a. Le câble électrique du four n'est pas branché. b. La porte est ouverte. c. Un mauvais réglage est effectué. 	<ul style="list-style-type: none"> a. Branchez le câble à la prise. b. Fermez la porte de votre four et essayez à nouveau. c. Suivez les instructions.
Arcs électriques et étincelles	<ul style="list-style-type: none"> a. Des matériaux non compatibles avec le four à micro-ondes ont été utilisés. b. Le four est mis en marche vide. c. Il reste des salissures d'aliments sur la cavité du four. 	<ul style="list-style-type: none"> a. Utilisez uniquement des ustensiles de cuisine pour four à micro-ondes. b. Ne mettez pas le four en marche lorsqu'il est vide. c. Nettoyez la cavité du four avec une serviette humide.
Aliments cuits de façon non homogène	<ul style="list-style-type: none"> a. Des matériaux non compatibles avec le four à micro-ondes ont été utilisés. b. Les aliments ne sont pas complètement décongelés. c. Le temps de cuisson et le niveau de puissance ne correspondent pas. d. Les aliments ne sont ni retournés ni remués. 	<ul style="list-style-type: none"> a. Utilisez uniquement des ustensiles de cuisine pour four à micro-ondes. b. Assurez-vous de complètement décongeler les aliments. c. Assurez-vous d'avoir sélectionné le temps de cuisson et le niveau de puissance appropriés. d. Retournez et remuez les aliments.
Aliments trop cuits	Le temps de cuisson et le niveau de puissance ne sont pas appropriés pour les aliments.	Assurez-vous d'avoir sélectionné le temps de cuisson et le niveau de puissance appropriés.
Aliments insuffisamment cuits	<ul style="list-style-type: none"> a. Des matériaux non compatibles avec le four à micro-ondes ont été utilisés. b. Les aliments ne sont pas complètement décongelés. c. Les orifices de ventilation du four sont obstrués. d. Le temps de cuisson et le niveau de puissance ne sont pas appropriés pour les aliments. 	<ul style="list-style-type: none"> a. Utilisez uniquement des ustensiles de cuisine pour four à micro-ondes. b. Assurez-vous de complètement décongeler les aliments. c. Vérifiez que les orifices de ventilation du four ne sont pas obstrués. d. Assurez-vous d'avoir sélectionné le temps de cuisson et le niveau de puissance appropriés.
Mauvaise décongélation	<ul style="list-style-type: none"> a. Des matériaux non compatibles avec le four à micro-ondes ont été utilisés. b. Le temps de cuisson et le niveau de puissance ne sont pas appropriés pour les aliments. c. Les aliments ne sont ni retournés ni remués. 	<ul style="list-style-type: none"> a. Utilisez uniquement des ustensiles de cuisine pour four à micro-ondes. b. Assurez-vous d'avoir sélectionné le temps de cuisson et le niveau de puissance appropriés. c. Retournez et remuez les aliments.

DÉCLARATION DE GARANTIE POUR LES PRODUITS ÉLECTRIQUES ET AU GAZ BEKO

Les garanties offertes par Beko dans ces déclarations s'appliquent uniquement aux produits électriques et au gaz Beko vendus à l'acheteur ou propriétaire original aux États-Unis et au Canada. La garantie n'est pas transférable. Pour obtenir un service de garantie, veuillez contacter votre distributeur le plus près tel que listé par province. Vous aurez besoin du numéro de modèle du produits électriques et au gaz, du numéro de série, du nom et de l'adresse du détaillant où vous l'avez acheté ainsi que de la date d'achat et de la date d'installation. Cette garantie vous confère des droits légaux spécifiques, et vous pouvez également bénéficier d'autres droits qui peuvent varier d'une province à l'autre. De plus, assurez-vous d'enregistrer votre produit pour la garantie au www.beko.us

1 an (*) de garantie complète à partir de la date de la première installation

Beko réparera ou remplacera sans frais pour le consommateur toutes pièces défectueuses du produits électriques et au gaz si utilisé sous des conditions domestiques normales (la garantie est annulée si le produit est utilisé à des fins commerciales par ex. gîtes touristiques, centre de soins, etc.). Le service doit aussi être effectué par une agence de service autorisée par Beko. (Les défauts de fabrication apparents doivent être signalés en dedans de 10 jours ouvrables de l'installation). 1 an de garantie sur les accessoires, pour les pièces seulement et n'inclut pas la main d'oeuvre.

2 ans *** de garantie à compter de la date de la première installation (pièces uniquement) Beko réparera ou remplacera toute pièce sans aucun frais pour le consommateur pour tout défaut de matière ou de fabrication à l'origine du dommage ou de la défaillance de ces éléments. Le électriques et au gaz doit avoir été utilisé dans des conditions normales domestiques et non commerciales tel que mentionné ci-dessus. (Le coût de la main d'oeuvre est à la charge du consommateur).

Exonérations de garantie et exclusions :

La garantie ne couvre pas les frais de service d'un agent de service autorisé pour corriger des problèmes d'installation, électriques ou l'instruction éducationnelle sur utilisation du produits électriques et au gaz . La garantie ne couvre pas non plus les défauts ou les dommages causés par une catastrophe naturelle (comme des tempêtes, des inondations, des incendies, des coulées de boue, etc.), des dommages causés par l'utilisation du produits électriques et au gaz dans des buts autres que ceux pour lesquels il a été conçu, mauvaise utilisation, abus, accident, altération, mauvaise installation, entretien, frais de déplacements, appels de service en dehors des heures de service normales, ramassage et livraison, toute perte d'aliments à cause d'une défectuosité du produit, service non autorisé ou personne de service non autorisée.

Ce produit a subi des tests complets et a eu des inspections d'assurance de qualité officiels avant de quitter le site de fabrication original. Les conditions de garantie pour cet électroménager Beko n'est pas valide si le produit a été altéré, tripoté, modifié, si des pièces supplémentaires ont été assemblées, fixées et réemballées par un distributeur autorisé, une personne d'entretien, un détaillant de tierce partie, un reven- deur ou par toute(s) autre(s) personne(s) non autorisée(s).

DANS LA LIMITE DE CE QUI EST AUTORISÉ PAR LA LOI, CETTE GARANTIE TIEND LIEU DE TOUTES LES AUTRES GARANTIES, EXPRESSES OU IMPLICITES, Y COMPRIS LES GARANTIES IMPLICITES DE QUALITÉ MARCHANDE ET D'ADAPTATION À UN USAGE PARTICULIER. BEKO DÉCLINE TOUTE RESPONSABILITÉ EN CE QUI A TRAIT À LA QUALITÉ DE CE PRODUIT SAUF MENTION CONTRAIRE DANS CETTE DÉCLARATION DE GARANTIE. BEKO N'ASSUME AUCUNE RESPONSABILITÉ QUAND À L'ADAPTATION DU PRODUIT POUR TOUT BUT PARTICULIER POUR LEQUEL VOUS POURRIEZ ACHETER CE PRODUIT, SAUF MENTION CONTRAIRE DANS CETTE DÉCLARATION DE GARANTIE.

Beko n'assume aucune responsabilité pour les dommages indirects ou consécutifs. De tels dommages incluent, mais sans s'y limiter, la perte de profits, la perte d'épargnes ou de revenus, la perte de l'utilisation du produits électriques et au gaz ou de tout équipement associé, le coût du capital, le coût de tout équipement substitué, installations ou services, panes, les réclamations de tiers, et des dommages à la propriété. Certaines provinces n'autorisent pas l'exclusion ou la limitation des dommages accessoires ou indirects, de sorte que les limitations ou exclusions ci-dessus peuvent ne pas s'appliquer à vous.

(*) La date d'installation réfère à la date d'achat ou à 5 jours ouvrables après la livraison du produit à la maison, la plus tardive de ces deux dates prévalant.

(**) Les pièces remplacées assumeront l'identité des pièces originales + leur garantie originale.

Aucune autre garantie. Cette déclaration de garantie est la garantie complète et exclusive du fabricant. Aucun employé de Beko ou autre tiers n'est autorisé à faire des déclarations de garantie en plus de celles énoncées dans cette Déclaration de garantie.

Veuillez conserver cette carte de garantie, manuel d'utilisation et votre reçu de caisse pour référence future.

COMMENT OBTENIR UN SERVICE

Veuillez contacter le distributeur pour votre province tel que listé sur la Liste de contact www.beko.us des distributeurs, pour être dirigé vers un Agent de service Beko.

